



US00D635704S

(12) **United States Design Patent**
Kim

(10) **Patent No.:** **US D635,704 S**

(45) **Date of Patent:** **** *Apr. 5, 2011**

(54) **BODY PORTION OF A FLASHLIGHT**

(75) Inventor: **Paul Y. Kim**, Santa Ana, CA (US)

(73) Assignee: **SureFire, LLC**, Fountain Valley, CA (US)

(*) Notice: This patent is subject to a terminal disclaimer.

(**) Term: **14 Years**

(21) Appl. No.: **29/353,888**

(22) Filed: **Jan. 15, 2010**

(51) **LOC (9) Cl.** **26-02**

(52) **U.S. Cl.** **D26/49**

(58) **Field of Classification Search** D26/37,
D26/38, 39, 40, 41, 42, 46, 48, 49; 362/103,
362/104, 105, 106, 108, 157, 158, 174, 183,
362/184, 190, 191, 200–208, 253

See application file for complete search history.

(56) **References Cited**

U.S. PATENT DOCUMENTS

6,761,467	B2 *	7/2004	Matthews et al.	362/202
D518,583	S	4/2006	Vickers et al.		
D531,747	S *	11/2006	Brown	D26/49
D534,672	S *	1/2007	Kim	D26/49
D537,969	S	3/2007	Moser		
D537,970	S *	3/2007	Shiu	D26/49
D537,971	S *	3/2007	Shiu	D26/49
D546,491	S *	7/2007	Shiu	D26/49
D554,787	S *	11/2007	Shiu	D26/49
D557,844	S	12/2007	Shiu		
D560,294	S	1/2008	Parsons et al.		
D560,295	S	1/2008	Parsons et al.		
D560,297	S *	1/2008	Brown et al.	D26/37
D565,220	S	3/2008	Galli		
D574,529	S	8/2008	Squires et al.		
D577,452	S	9/2008	Shiu		
D577,843	S	9/2008	Couture et al.		

D577,845	S	9/2008	Shiu
D585,577	S	1/2009	Bonis
D590,970	S	4/2009	Kornfeld et al.
D592,338	S	5/2009	Bushee
D596,329	S	7/2009	Galli
D596,772	S	7/2009	Chang
D597,690	S	8/2009	Yamamoto
D605,319	S	12/2009	Devaney et al.
D605,799	S	12/2009	Kim
D608,923	S	1/2010	Yamamoto
D612,968	S	3/2010	Ma
D617,022	S	6/2010	Kung
D624,678	S	9/2010	Kim

OTHER PUBLICATIONS

U.S. Appl. No. 29/353,884, Kim, Paul Y.

U.S. Appl. No. 29/353,890, Kim, Paul Y.

* cited by examiner

Primary Examiner — Ian Simmons

Assistant Examiner — Carissa C Fitts

(74) *Attorney, Agent, or Firm* — Haynes and Boone, LLP

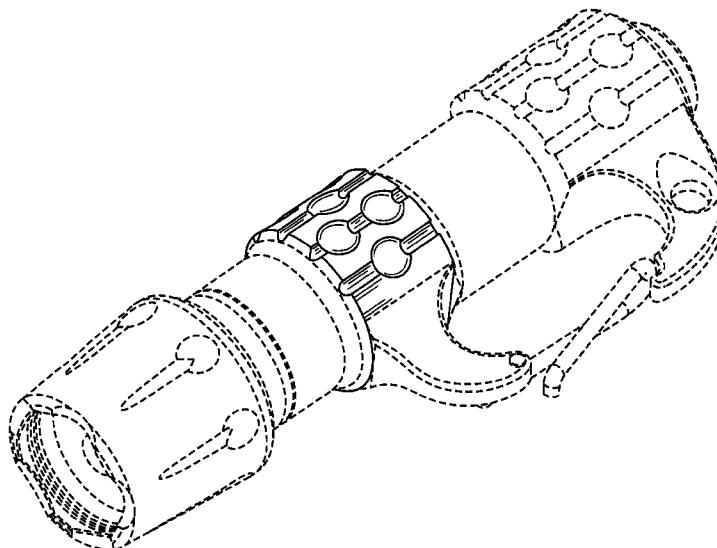
(57) **CLAIM**

The ornamental design for a body portion of a flashlight, as shown and described.

DESCRIPTION

FIG. 1 is a front perspective view of a body portion of a flashlight showing my new design; FIG. 2 is a rear perspective view thereof; FIG. 3 is a top plan view thereof; FIG. 4 is a bottom plan view thereof; FIG. 5 is a left side elevational view thereof; FIG. 6 is a right side elevational view thereof; FIG. 7 is a front side elevational view thereof; and, FIG. 8 is a rear side elevational view thereof. The dashed lines in FIGS. 1-8 are shown for illustrative purposes and form no part of the claimed design.

1 Claim, 7 Drawing Sheets



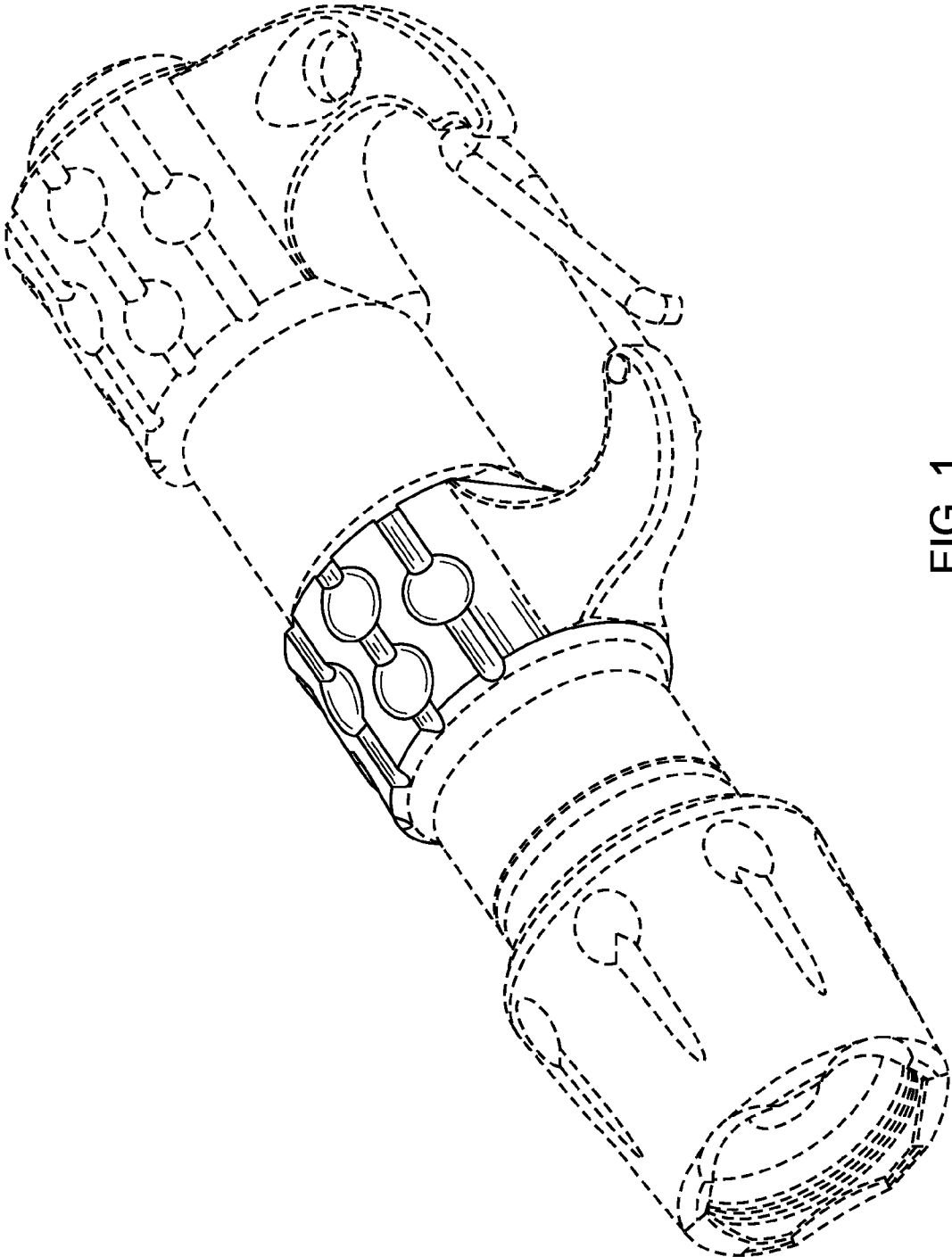


FIG. 1

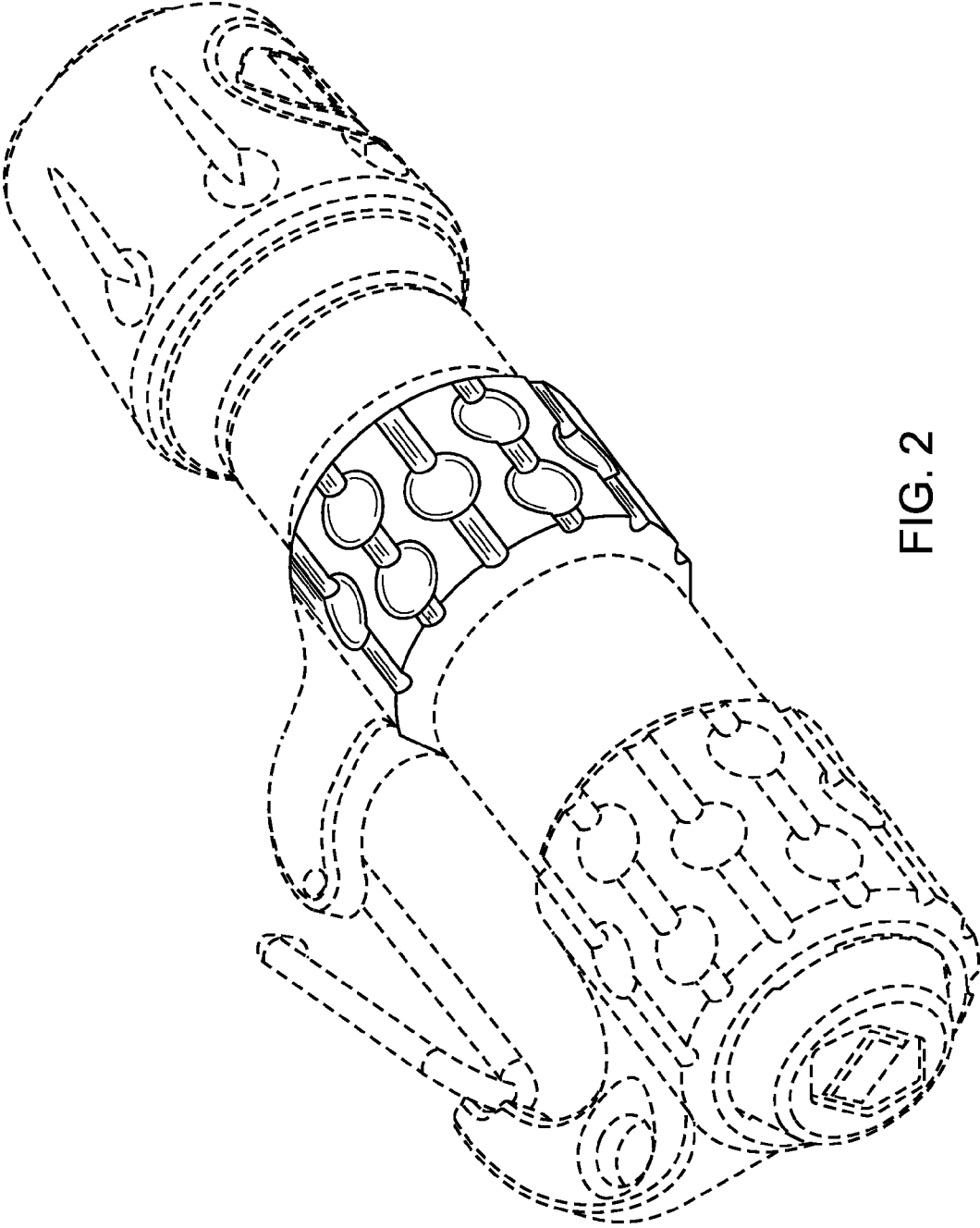


FIG. 2

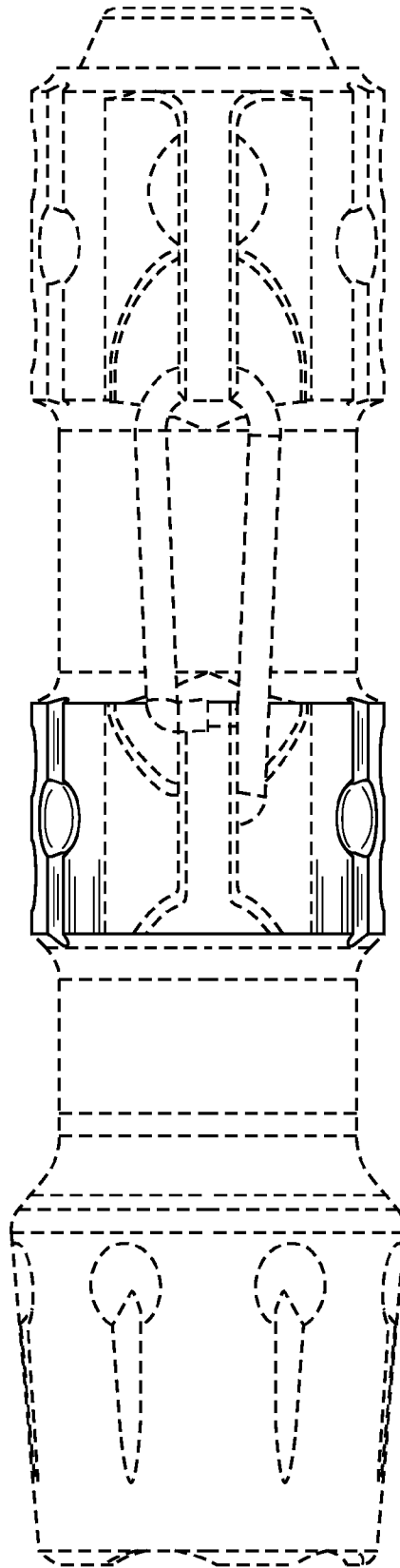


FIG. 3

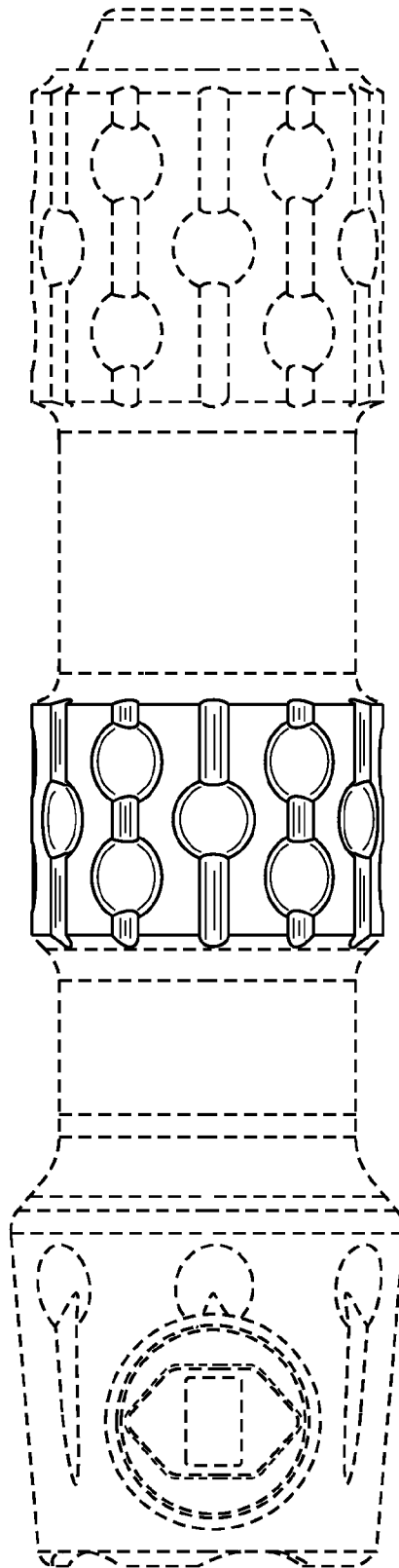


FIG. 4

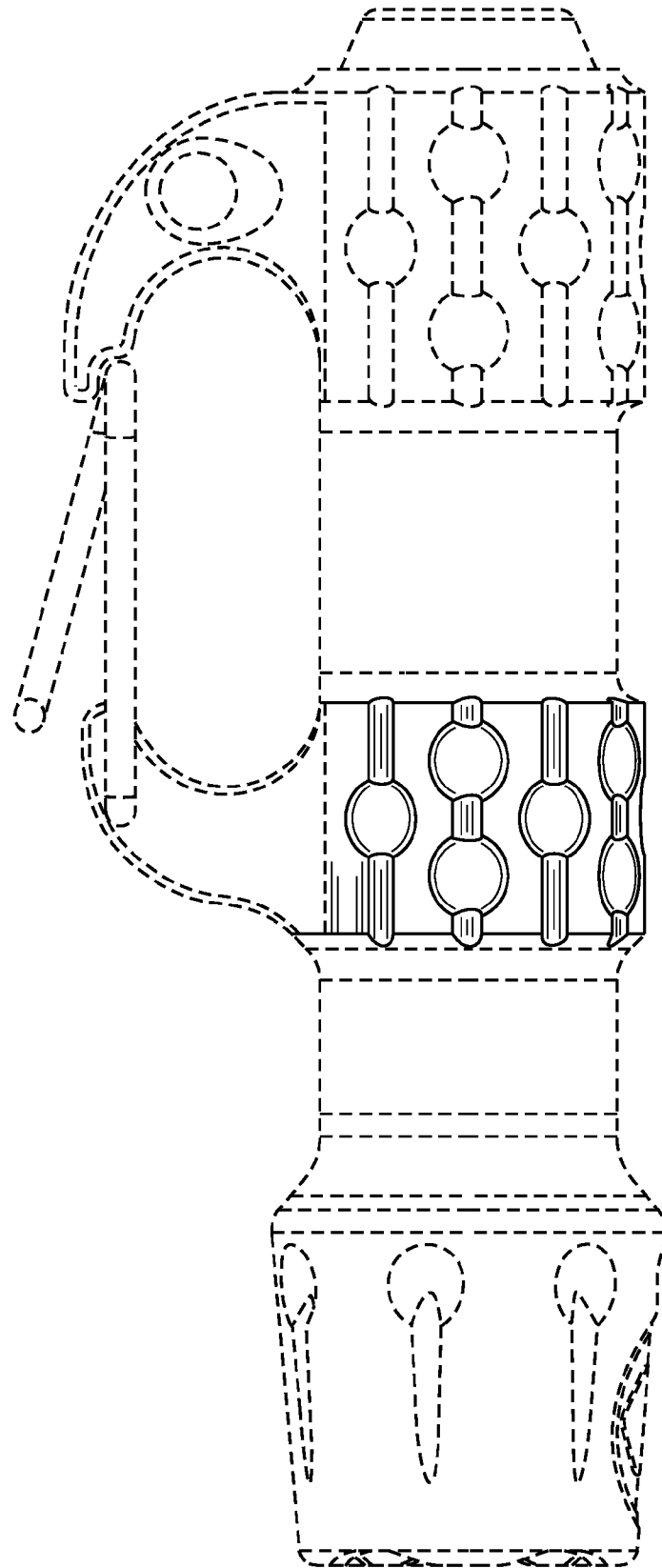


FIG. 5

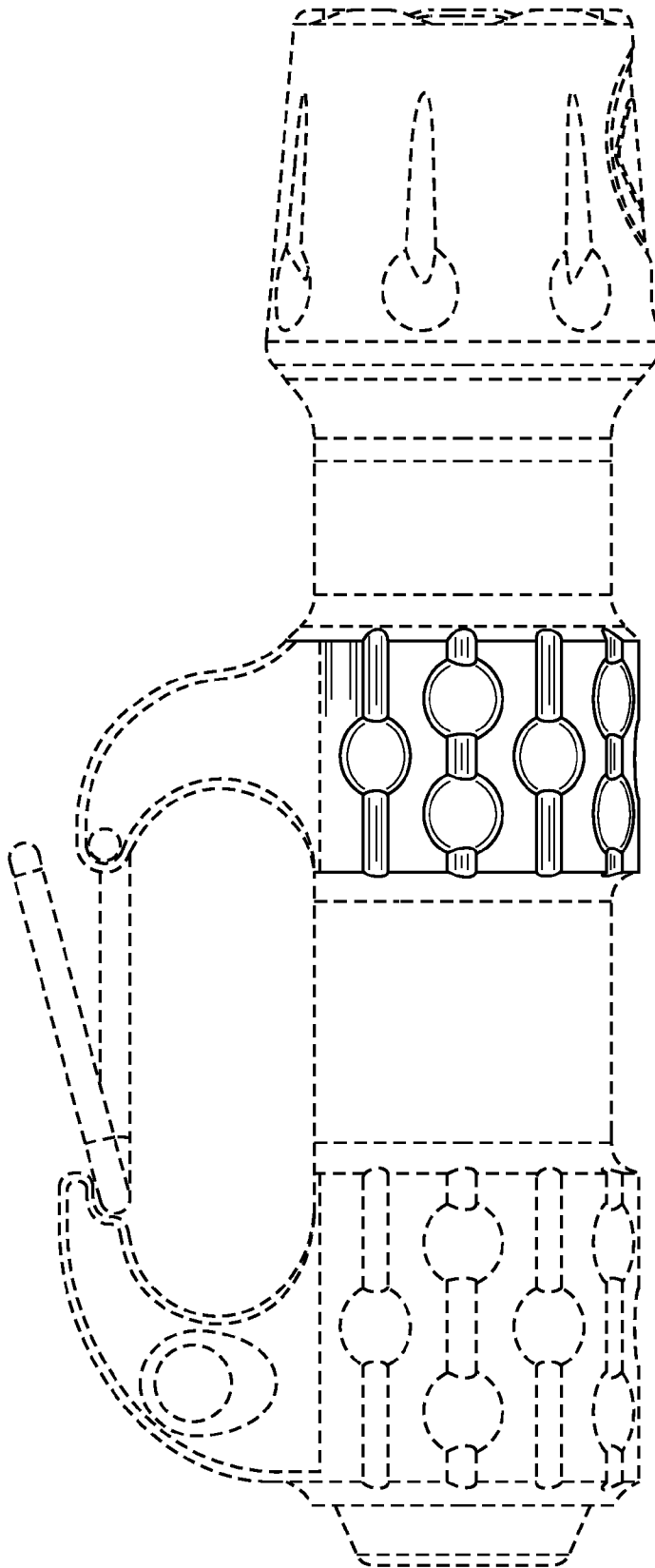


FIG. 6

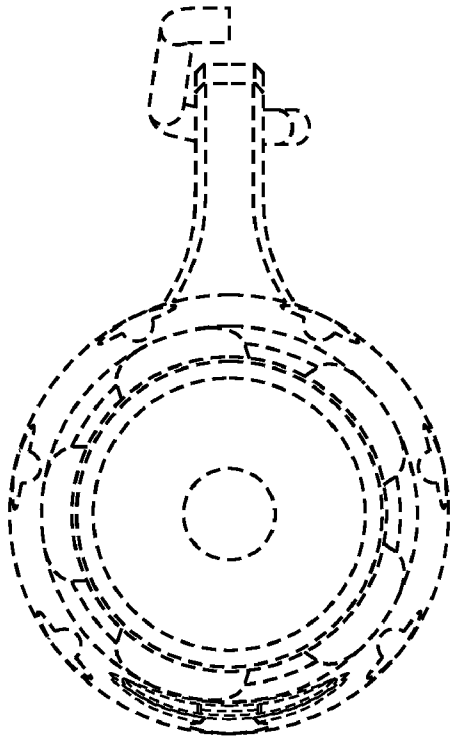


FIG. 7

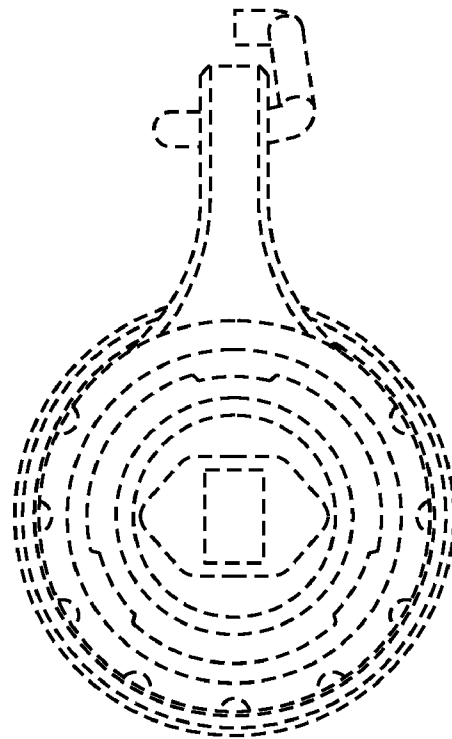


FIG. 8