



US00D635703S

(12) **United States Design Patent**  
**Kim**

(10) **Patent No.:** **US D635,703 S**

(45) **Date of Patent:** **\*\* Apr. 5, 2011**

(54) **BODY PORTION OF A FLASHLIGHT**

(75) Inventor: **Paul Y. Kim**, Santa Ana, CA (US)

(73) Assignee: **SureFire, LLC**, Fountain Valley, CA (US)

(\*\*) Term: **14 Years**

(21) Appl. No.: **29/353,884**

(22) Filed: **Jan. 15, 2010**

(51) **LOC (9) Cl.** ..... **26-02**

(52) **U.S. Cl.** ..... **D26/49**

(58) **Field of Classification Search** ..... D26/37,  
D26/38, 39, 40, 41, 42, 46, 48, 49; 362/103,  
362/104, 105, 106, 108, 157, 158, 174, 183,  
362/184, 190, 191, 200–208, 253  
See application file for complete search history.

(56) **References Cited**

U.S. PATENT DOCUMENTS

6,761,467	B2	7/2004	Matthews et al.	
D518,583	S *	4/2006	Vickers et al.	D26/37
D531,747	S	11/2006	Brown	
D534,672	S	1/2007	Kim	
D537,969	S	3/2007	Moser	
D537,970	S *	3/2007	Shiu	D26/49
D537,971	S *	3/2007	Shiu	D26/49
D546,491	S *	7/2007	Shiu	D26/49
D554,787	S	11/2007	Shiu	
D557,844	S *	12/2007	Shiu	D26/49
D560,294	S *	1/2008	Parsons et al.	D26/37
D560,295	S *	1/2008	Parsons et al.	D26/37
D560,297	S *	1/2008	Brown et al.	D26/37
D565,220	S *	3/2008	Galli	D26/49
D574,529	S	8/2008	Squires et al.	
D577,452	S *	9/2008	Shiu	D26/49
D577,843	S *	9/2008	Couture et al.	D26/49
D577,845	S *	9/2008	Shiu	D26/49
D585,577	S *	1/2009	Bonis	D26/49

D590,970	S *	4/2009	Kornfeld et al.	D26/37
D592,338	S *	5/2009	Bushee	D26/37
D596,329	S *	7/2009	Galli	D26/49
D596,772	S *	7/2009	Chang	D26/49
D597,690	S	8/2009	Yamamoto	
D605,319	S *	12/2009	Devaney et al.	D26/39
D605,799	S	12/2009	Kim	
D608,923	S	1/2010	Yamamoto	
D612,968	S	3/2010	Ma	
D617,022	S *	6/2010	Kung	D26/37
D624,678	S	9/2010	Kim	

OTHER PUBLICATIONS

U.S. Appl. No. 29/353,888, Kim, Paul Y.  
U.S. Appl. No. 29/353,890, Kim, Paul Y.

\* cited by examiner

*Primary Examiner* — Ian Simmons  
*Assistant Examiner* — Carissa C Fitts  
(74) *Attorney, Agent, or Firm* — Haynes and Boone, LLP

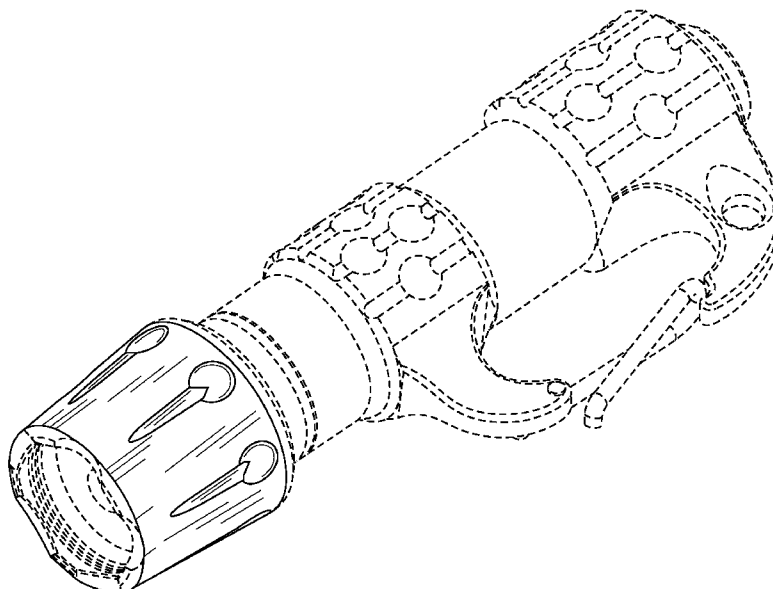
(57) **CLAIM**

The ornamental design for a body portion of a flashlight, as shown and described.

**DESCRIPTION**

FIG. 1 is a front perspective view of a body portion of a flashlight showing my new design;  
FIG. 2 is a rear perspective view thereof;  
FIG. 3 is a top plan view thereof;  
FIG. 4 is a bottom plan view thereof;  
FIG. 5 is a left side elevational view thereof;  
FIG. 6 is a right side elevational view thereof;  
FIG. 7 is a front side elevational view thereof; and,  
FIG. 8 is a rear side elevational view thereof.  
The dashed lines in FIGS. 1-8 are shown for illustrative purposes and form no part of the claimed design.

**1 Claim, 7 Drawing Sheets**



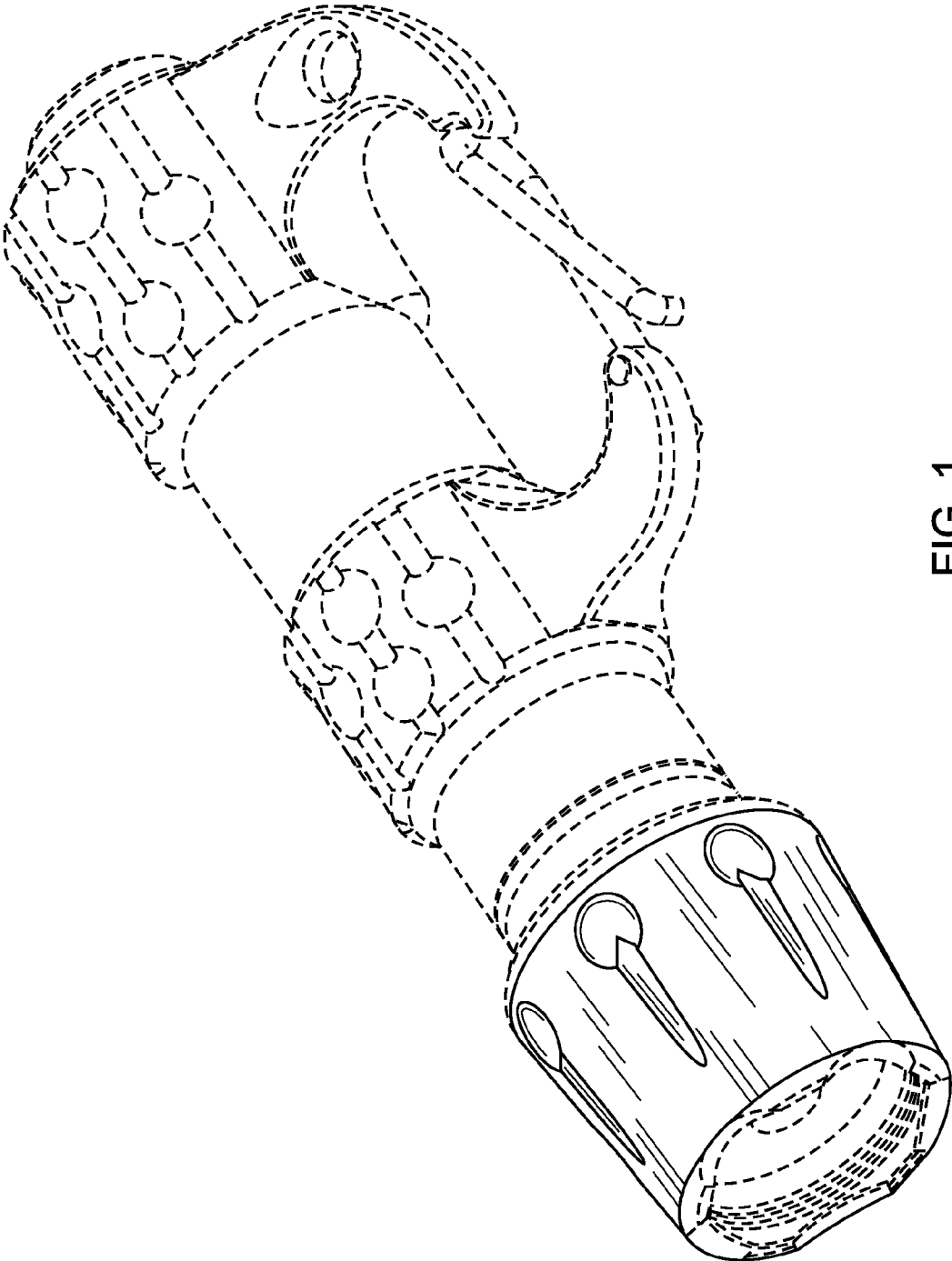


FIG. 1

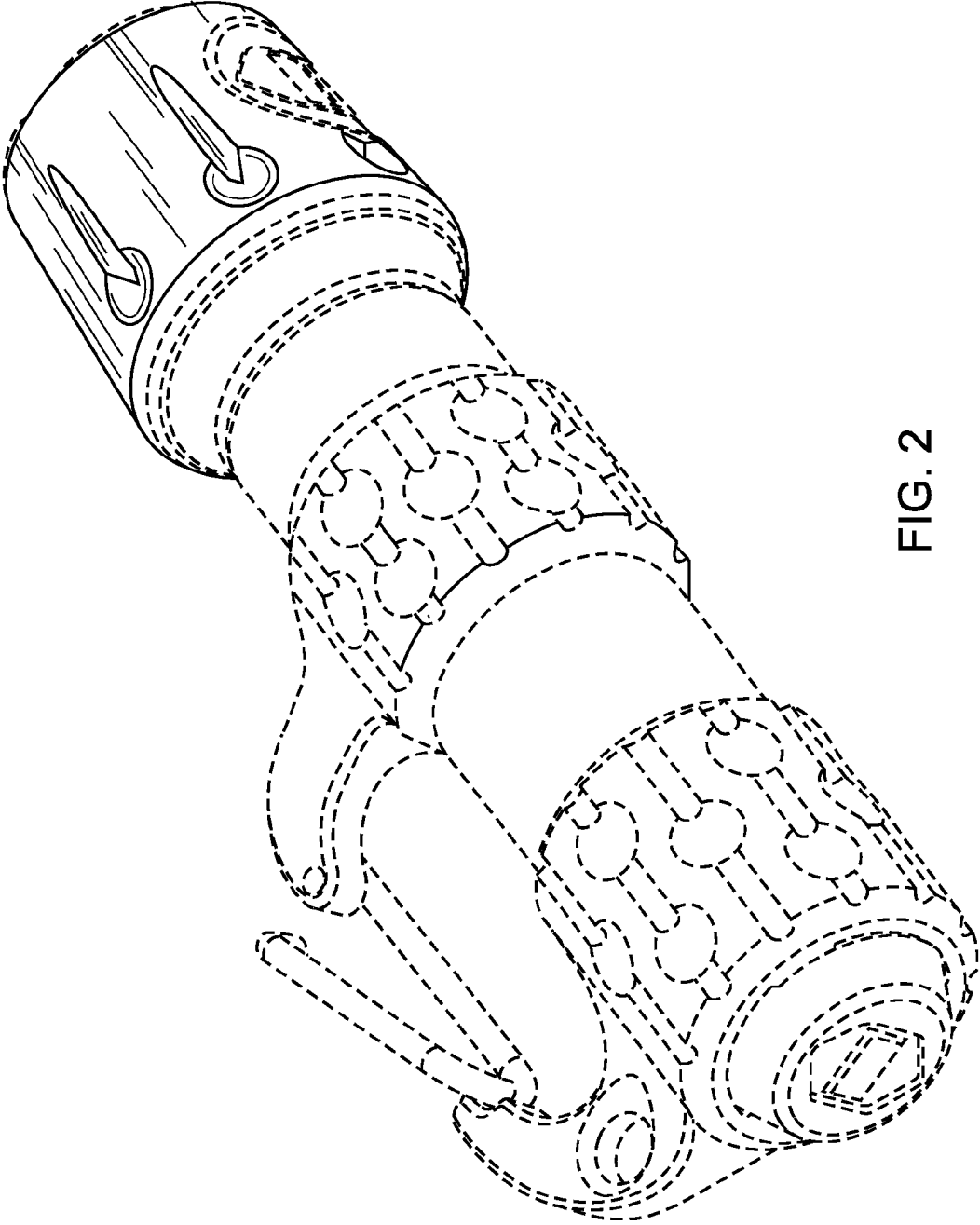


FIG. 2

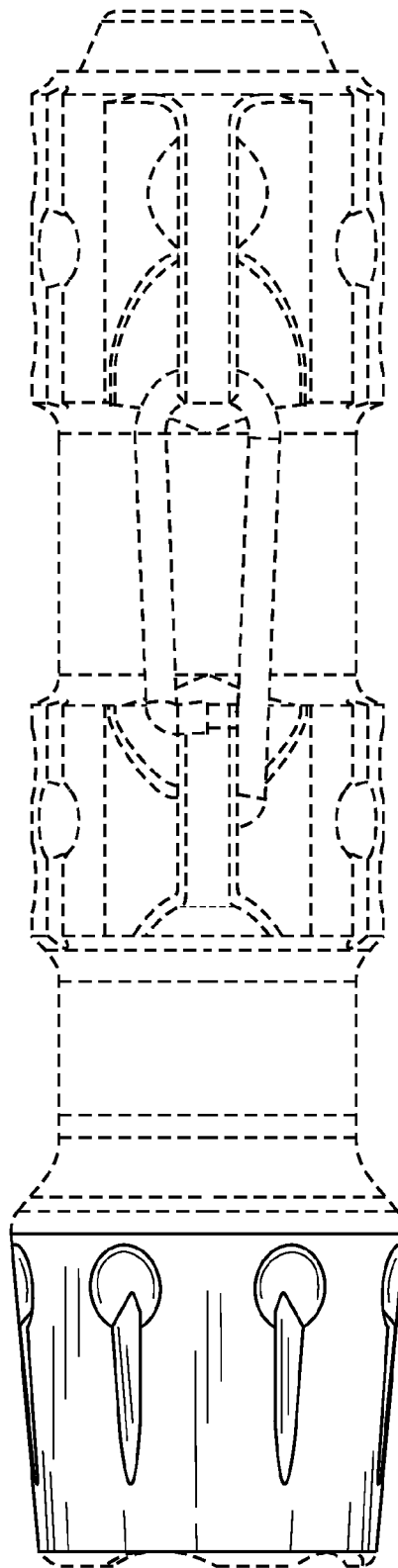


FIG. 3

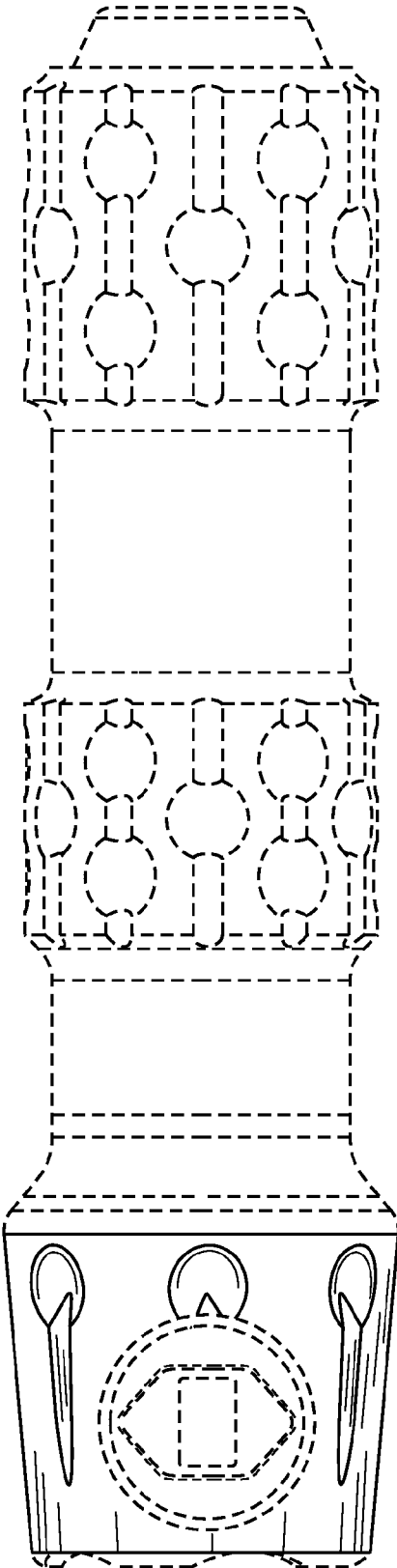


FIG. 4

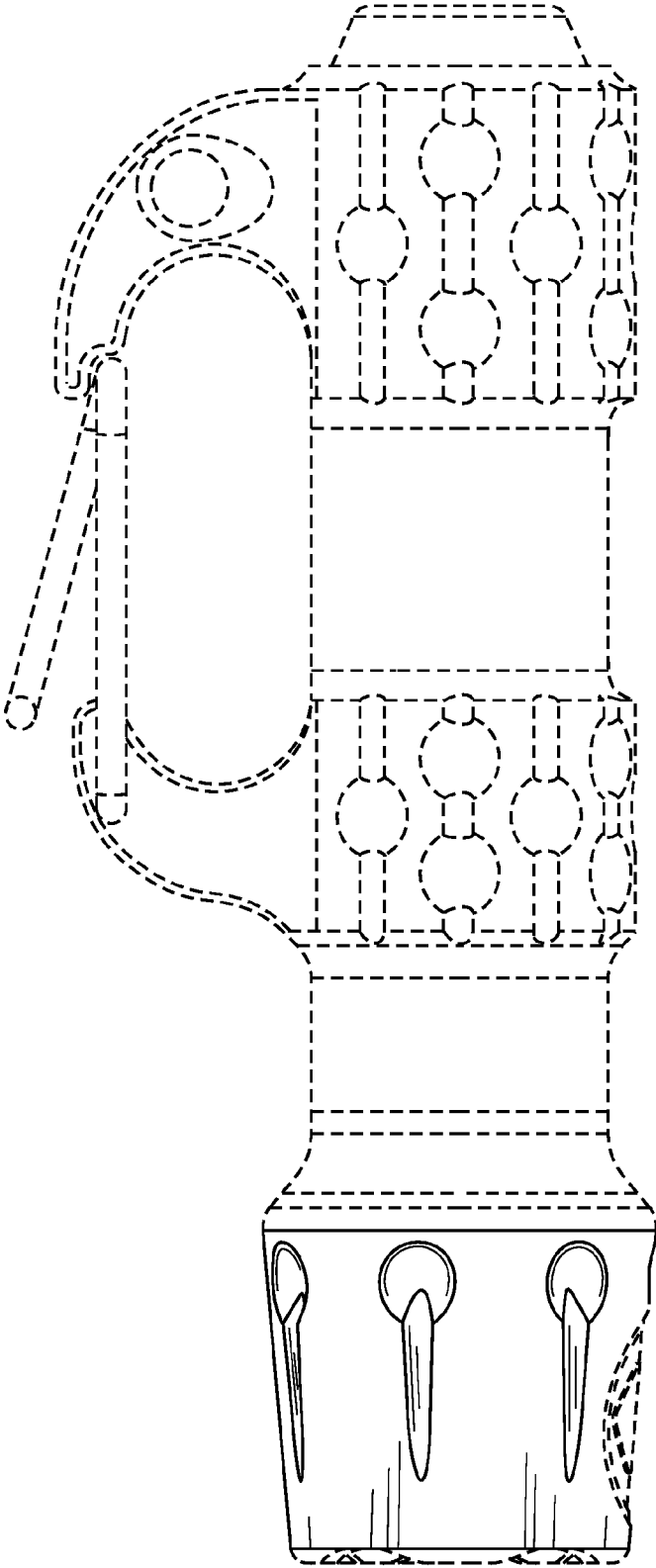


FIG. 5

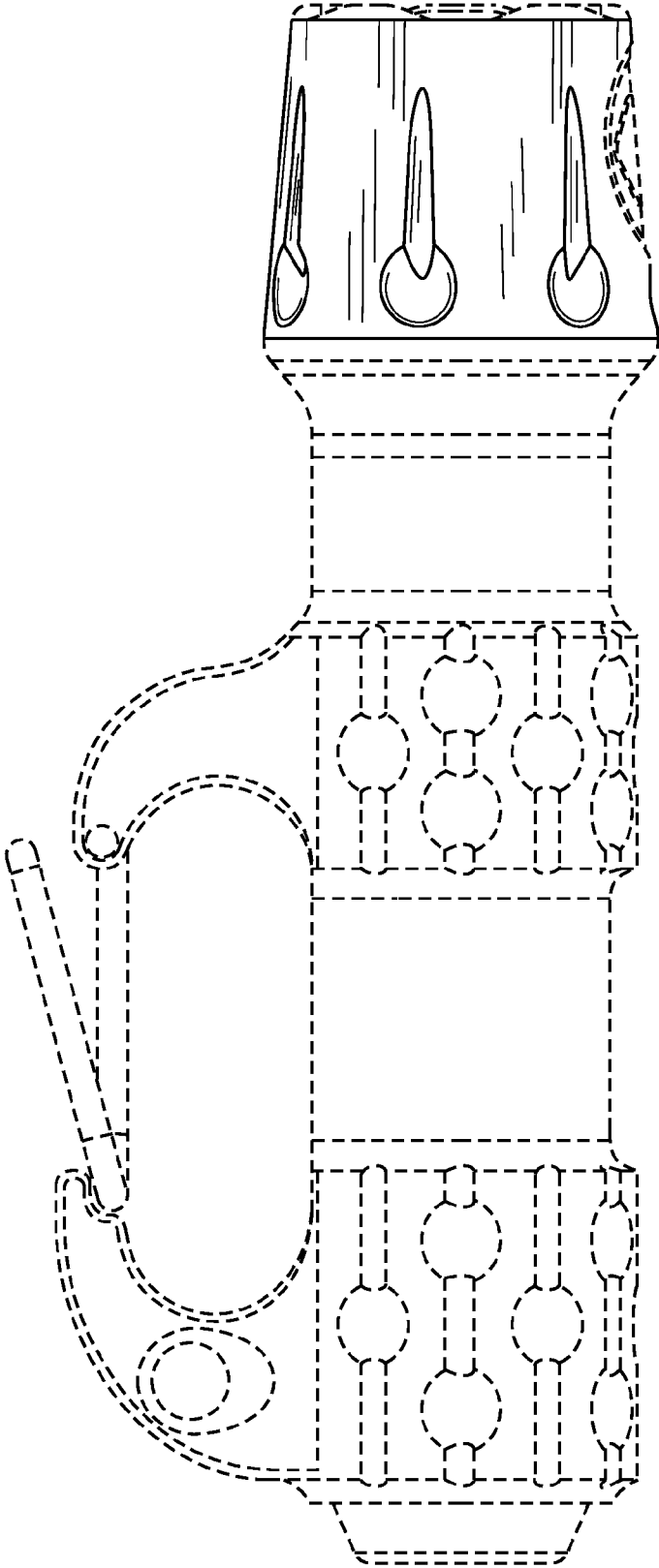


FIG. 6

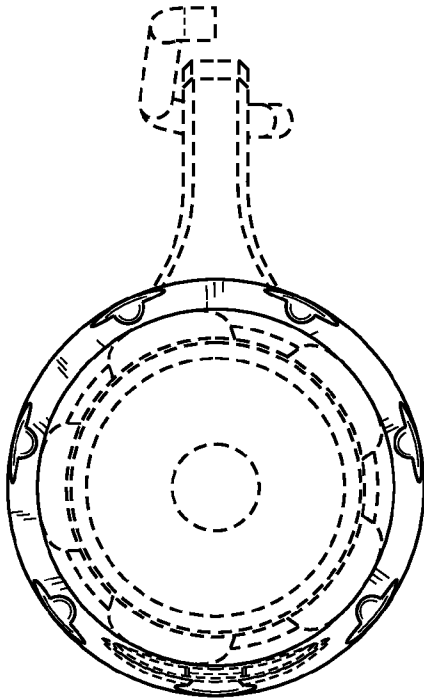


FIG. 7

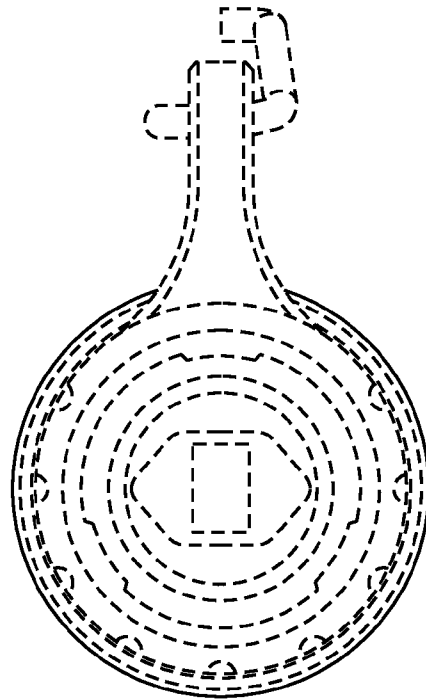


FIG. 8