



US00D619284S

(12) **United States Design Patent**
Kim

(10) **Patent No.:** **US D619,284 S**

(45) **Date of Patent:** **** Jul. 6, 2010**

(54) **FLASHLIGHT HEAD HAVING A RECESSED PORTION**

(75) Inventor: **Paul Y. Kim**, Santa Ana, CA (US)

(73) Assignee: **SureFire, LLC**, Fountain Valley, CA (US)

(**) Term: **14 Years**

(21) Appl. No.: **29/325,328**

(22) Filed: **Sep. 29, 2008**

(51) **LOC (9) Cl.** **26-02**

(52) **U.S. Cl.** **D26/49**

(58) **Field of Classification Search** D26/37,
D26/38, 40-50; 362/157, 158, 183-199,
362/202-208

See application file for complete search history.

(56) **References Cited**

U.S. PATENT DOCUMENTS

- D417,022 S * 11/1999 Chiu D26/49
- D419,254 S * 1/2000 Chiu D26/49
- D443,091 S 5/2001 van Klinken
- D455,510 S * 4/2002 Galli D26/37
- D455,513 S 4/2002 Galli
- 6,536,917 B1 3/2003 Aperochi et al.
- D473,961 S 4/2003 Galli
- D474,295 S * 5/2003 Bruwer D26/37
- D475,798 S 6/2003 Galli
- D476,101 S * 6/2003 Bruwer D26/37
- D476,103 S 6/2003 Galli
- D482,710 S * 11/2003 Ho D16/132
- D489,469 S * 5/2004 Liou D26/37
- D491,305 S * 6/2004 Copeland D26/49
- 6,793,366 B2 9/2004 Chun
- D501,054 S 1/2005 Galli
- D517,230 S * 3/2006 Ho D26/37
- D523,981 S * 6/2006 Galli D26/37
- D525,379 S * 7/2006 Maxik et al. D26/37
- D526,730 S 8/2006 Galli
- D535,417 S * 1/2007 Martin D26/37
- D535,418 S * 1/2007 Martin D26/37
- 7,163,314 B2 1/2007 Sharrah

- D544,116 S * 6/2007 Wai D26/37
- D544,120 S * 6/2007 Matthews et al. D26/37
- D548,380 S * 8/2007 Wai D26/37
- D553,272 S * 10/2007 Leung D26/37
- D560,014 S * 1/2008 Lammel et al. D26/61

(Continued)

FOREIGN PATENT DOCUMENTS

TW 552064 9/2003

(Continued)

OTHER PUBLICATIONS

U.S. Appl. No. 29/323,348, Paul Y. Kim.

(Continued)

Primary Examiner—Ian Simmons
Assistant Examiner—Carissa C Fitts
(74) *Attorney, Agent, or Firm*—Haynes and Boone, LLP

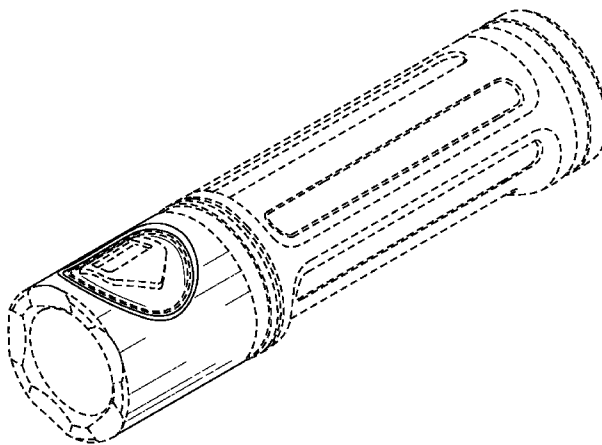
(57) **CLAIM**

The ornamental design for a flashlight head having a recessed portion, as shown and described.

DESCRIPTION

FIG. 1 is a front perspective view of a flashlight showing my new design;
FIG. 2 is a rear perspective view thereof;
FIG. 3 is a top plan view thereof;
FIG. 4 is a bottom plan view thereof;
FIG. 5 is a left side elevational view thereof;
FIG. 6 is a right side elevational view thereof;
FIG. 7 is a front side elevational view thereof; and,
FIG. 8 is a rear side elevational view thereof.
The dashed lines in FIGS. 1-8 are shown for illustrative purposes and form no part of the claimed design.

1 Claim, 5 Drawing Sheets



US D619,284 S

Page 2

U.S. PATENT DOCUMENTS

D560,294 S * 1/2008 Parsons et al. D26/37
D560,295 S * 1/2008 Parsons et al. D26/37
D561,365 S * 2/2008 Huff D26/37
D565,220 S 3/2008 Galli
7,387,402 B1 6/2008 Lui
D576,324 S * 9/2008 Wolff et al. D26/39
D577,843 S 9/2008 Couture et al.
D599,045 S * 8/2009 Castellucci et al. D26/37
D604,435 S * 11/2009 Kingston et al. D26/37
D606,686 S * 12/2009 Kim D26/46

FOREIGN PATENT DOCUMENTS

TW 552065 9/2003

TW 585721 4/2004
TW 589103 5/2004

OTHER PUBLICATIONS

U.S. Appl. No. 29/323,350, Paul Y. Kim.
U.S. Appl. No. 29,323,351, Paul Y. Kim.
U.S. Appl. No. 29/323,353, Paul Y. Kim.
U.S. Appl. No. 29/335,191, Paul Y. Kim.
U.S. Appl. No. 29/335,192, Paul Y. Kim.
U.S. Appl. No. 29/335,188, Paul Y. Kim.
U.S. Appl. No. 12/240,778, Paul Y. Kim.

* cited by examiner

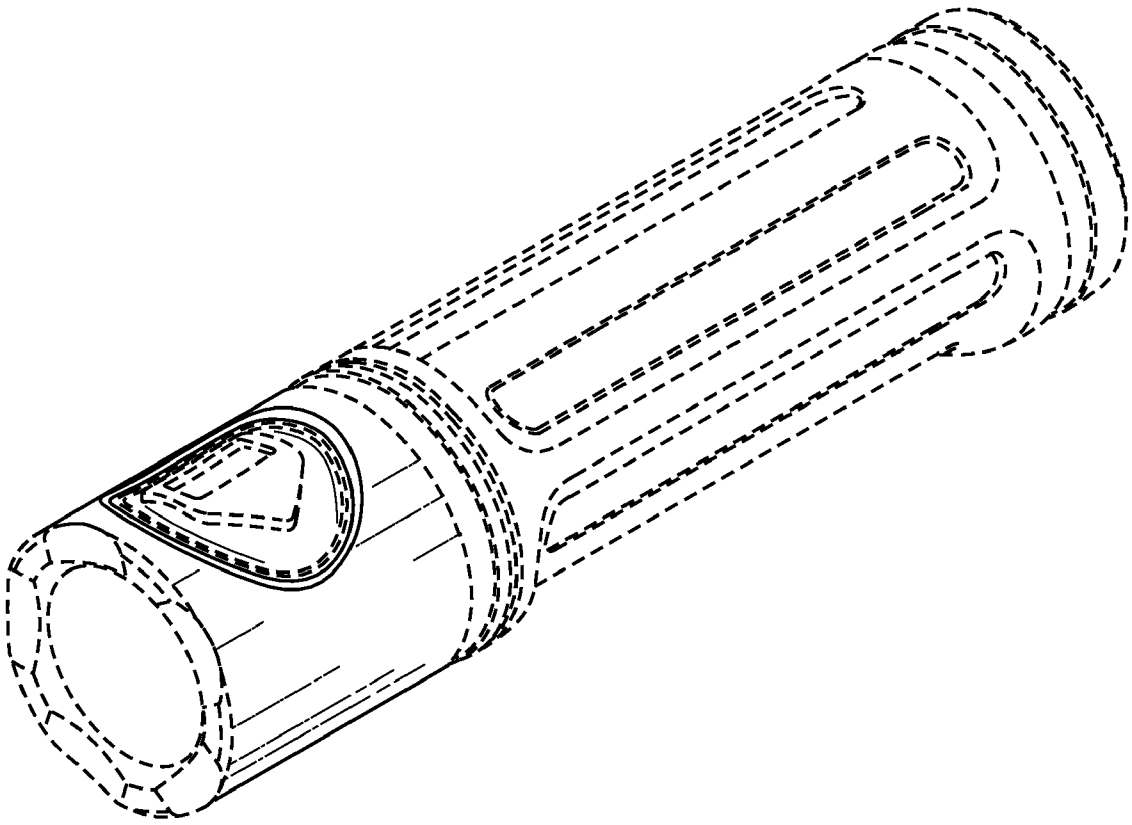


FIG. 1

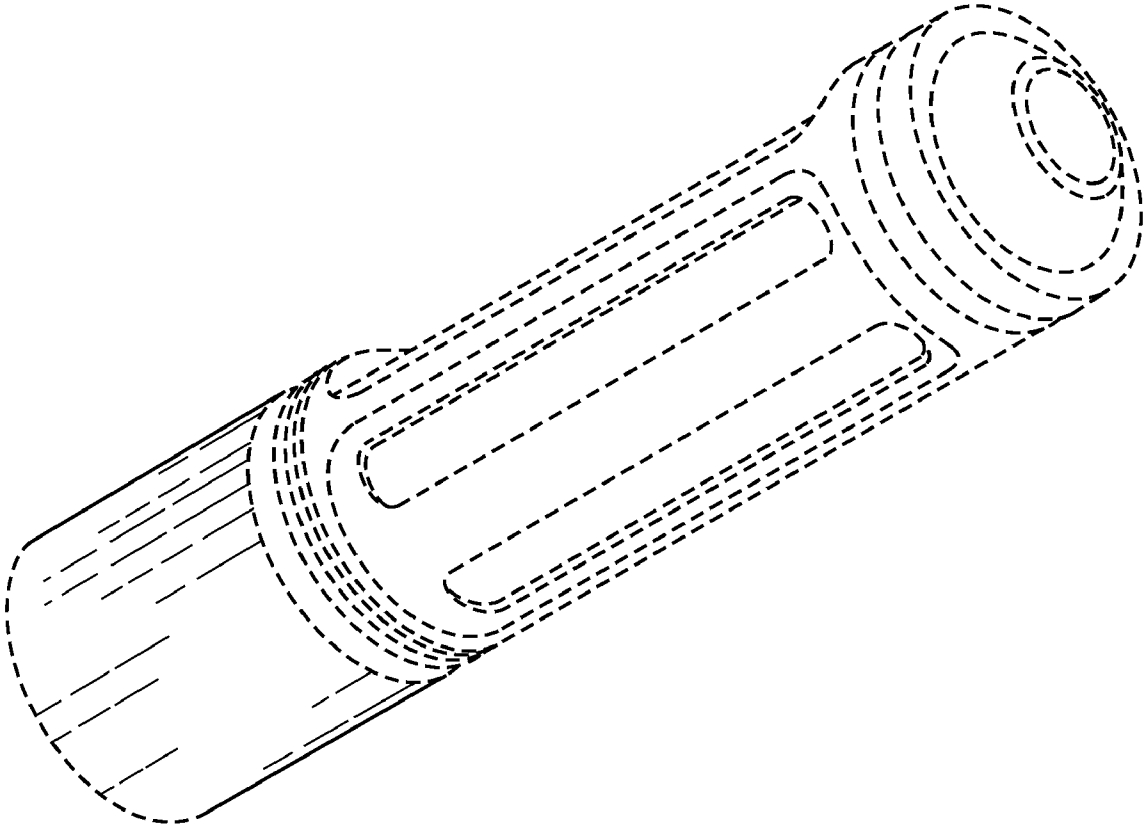


FIG. 2

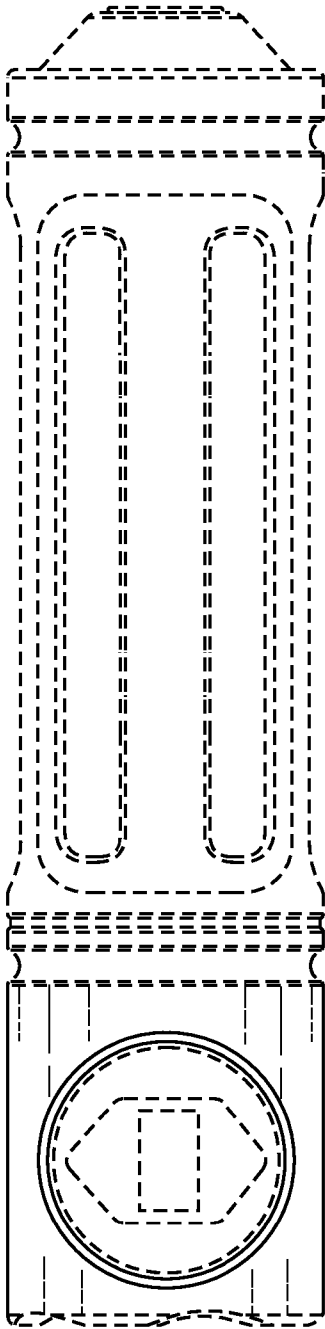


FIG. 3

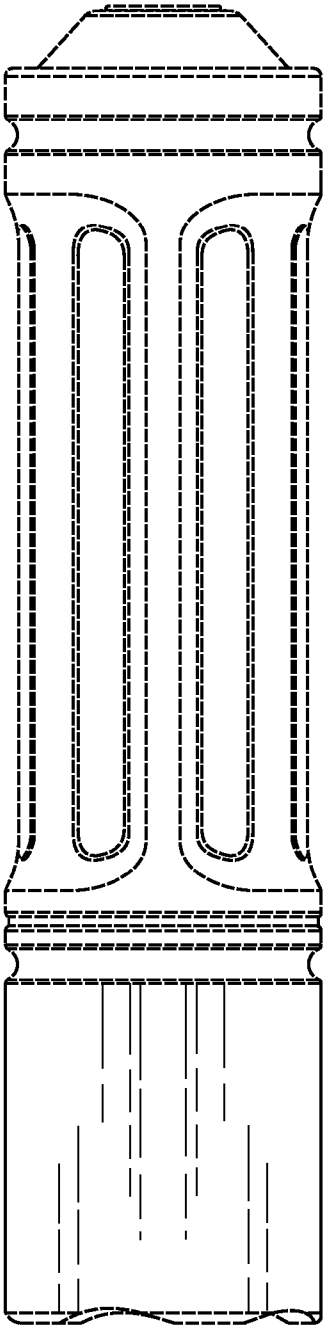


FIG. 4

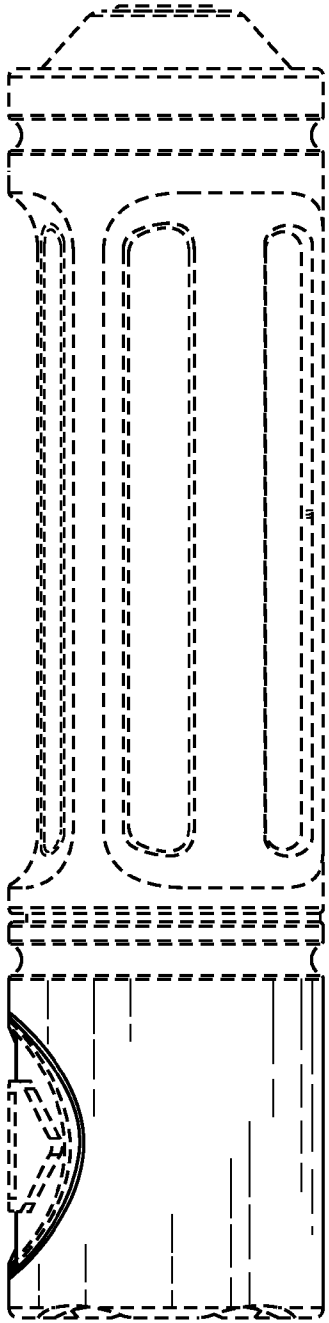


FIG. 5

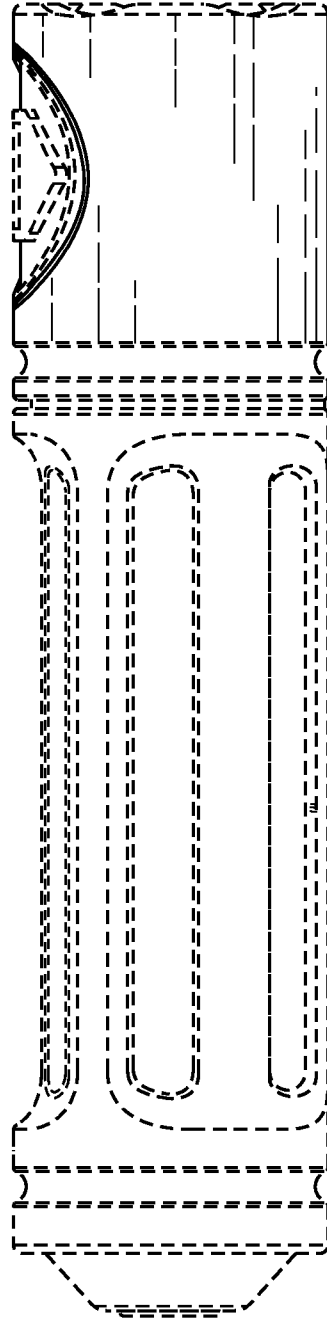


FIG. 6

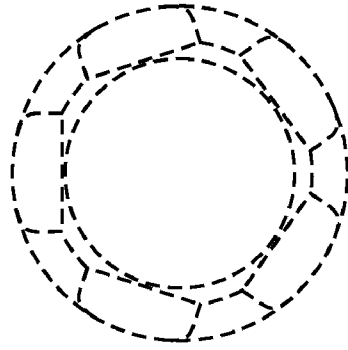


FIG. 7

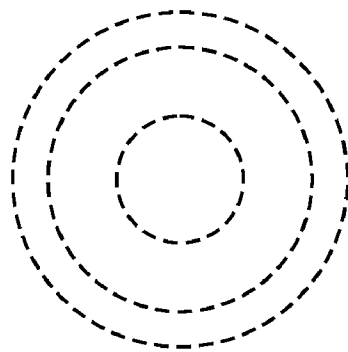


FIG. 8