



US00D615680S

(12) **United States Design Patent**
Kim

(10) **Patent No.:** **US D615,680 S**

(45) **Date of Patent:** **** May 11, 2010**

(54) **LIGHTING DEVICE**

2007/0247839 A1 10/2007 Matthews

(75) Inventor: **Paul Y. Kim**, Santa Ana, CA (US)

OTHER PUBLICATIONS

(73) Assignee: **SureFire, LLC**, Fountain Valley, CA (US)

U.S. Appl. No. 12/391,491, Hunt, William A.
U.S. Appl. No. 12/434,235, Kim, Paul Y.
U.S. Appl. No. 12/434,250, Kim, Paul Y.
SureFire catalog, Sainit ultra high output LED headlamp and Minimus compact ultra high output LED headlamp, Jan. 15, 2009, 1 page.
Kroma — Flexible LED Flashlight with White, Blue & Red Beams from SureFire, http://www.surefire.com/maxexp/main.pl?pgm=co_disp&strfnbr=6&prfnbr=24412&sesent=0.0&search_id=1344499, pp. 1 and 2.
A2 Aviator LED Flashlight, http://www.surefire.com/maxexp/main.pl?pgm=co_disp&func=displ&strfnbr=6&prfnbr=900&sesent=0.0&search_id=1344500, pp. 1 and 2.

(**) Term: **14 Years**

(21) Appl. No.: **29/336,367**

(22) Filed: **May 1, 2009**

(51) **LOC (9) Cl.** **26-02**

(52) **U.S. Cl.** **D26/39**

(58) **Field of Classification Search** D26/37,
D26/38, 39, 46, 49, 50; 362/157, 158, 184,
362/194–196, 190, 200–208
See application file for complete search history.

(Continued)

Primary Examiner—Ian Simmons
Assistant Examiner—Carissa C Fitts
(74) *Attorney, Agent, or Firm*—Haynes and Boone, LLP

(56) **References Cited**

U.S. PATENT DOCUMENTS

D482,471 S	11/2003	Shiu	
D482,472 S *	11/2003	Shiu	D26/39
D482,473 S	11/2003	Shiu	
D485,384 S *	1/2004	Poon	D26/39
6,736,529 B1	5/2004	Lee	
6,841,941 B2	1/2005	Kim et al.	
D508,140 S *	8/2005	Sharrah	D26/39
D525,734 S *	7/2006	Shiao	D26/39
D529,213 S *	9/2006	Shiu	D26/39
D531,335 S *	10/2006	Garrity	D26/39
D534,289 S *	12/2006	Shiu	D26/39
D536,115 S *	1/2007	Shiu	D26/39
7,186,002 B2	3/2007	Matthews et al.	
7,220,016 B2	5/2007	Matthews et al.	
D552,775 S *	10/2007	Shiu	D26/39
D553,277 S *	10/2007	Ho et al.	D26/39
7,293,893 B2	11/2007	Kim	
RE40,027 E	1/2008	Matthews	
7,344,270 B2	3/2008	Kim	
D579,133 S *	10/2008	Shiu	D26/39
7,513,660 B2	4/2009	Spartano et al.	
2005/0237737 A1	10/2005	Kim	
2007/0195522 A1	8/2007	Matthews	

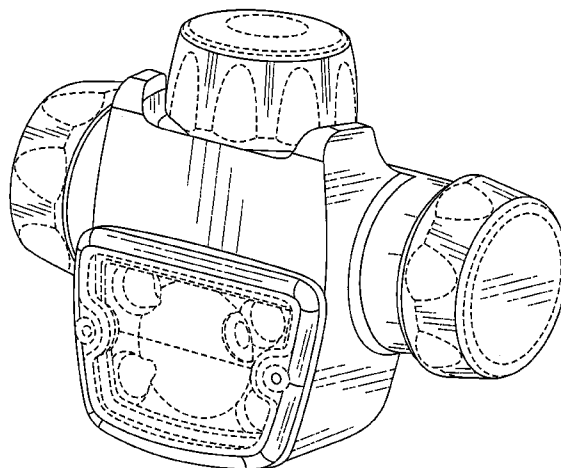
(57) **CLAIM**

The ornamental design for a lighting device, as shown and described.

DESCRIPTION

FIG. 1 is a front perspective view of a lighting device showing my new design;
FIG. 2 is a rear perspective view thereof;
FIG. 3 is a top plan view thereof;
FIG. 4 is a bottom plan view thereof;
FIG. 5 is a left side elevational view thereof;
FIG. 6 is a right side elevational view thereof;
FIG. 7 is a front side elevational view thereof; and,
FIG. 8 is a rear side elevational view thereof.
The dashed lines in FIGS. 1–8 are shown for illustrative purposes and form no part of the claimed design.

1 Claim, 6 Drawing Sheets



OTHER PUBLICATIONS

Surefire 9AN Commander — 9AN000 Rechargeable Flashlight, http://www.surefire.com/maxexp/main.pl?pgm=co_disp&func=displ&strfnbr=6&prfnbr=949&sesent=0,0&search_id=1344503, pp. 1 and 2.

Norman, LH500 Lamphead, 810788, B&H Photo Video, http://www.bhphotovideo.com/c/product/38326-Reg/Norman_810788_LH500_Lamphead.html, pp. 1 and 2.

X-Zoom — Headlamps — Mammut, http://www.mammut.ch/en/productDetail/232000120_v_0001X-Zoom.html, pp. 1 and 2.

Headlamps & Lights: Headlamps Rescue & Outdoor Sporting, http://www.urbanhart.com/shopsite/headlampslights_headlamps.html, pp. 1-15.

First Light USA, <http://www.first-light-usa.com/tomahawkmain.php>, pp. 1-9.

Streamlight Sidewinder Tactical LED Flashlight, <http://www.streamlight-flashlights.com/sidewinder.html>, pp. 1 and 2.

Buickmasters Camo Twin-Task 2L Hunting Flashlight — 51025, <http://www.streamlight-flashlights.com/51025.html>, p. 1.

Amazon.com: Underwater Kinetics 3AAA Vizion eLED Headlamp: Sports & Outdoors, <http://www.amazon.com/Underwater-Kinetics-3AAA-Vizion-Headlamp/dp/B001G5ZG2K>, pp. 1-6.

Backpacker Magazine, Mammut X-Zoom, Apr. 2009, pp. 1 and 2.

* cited by examiner

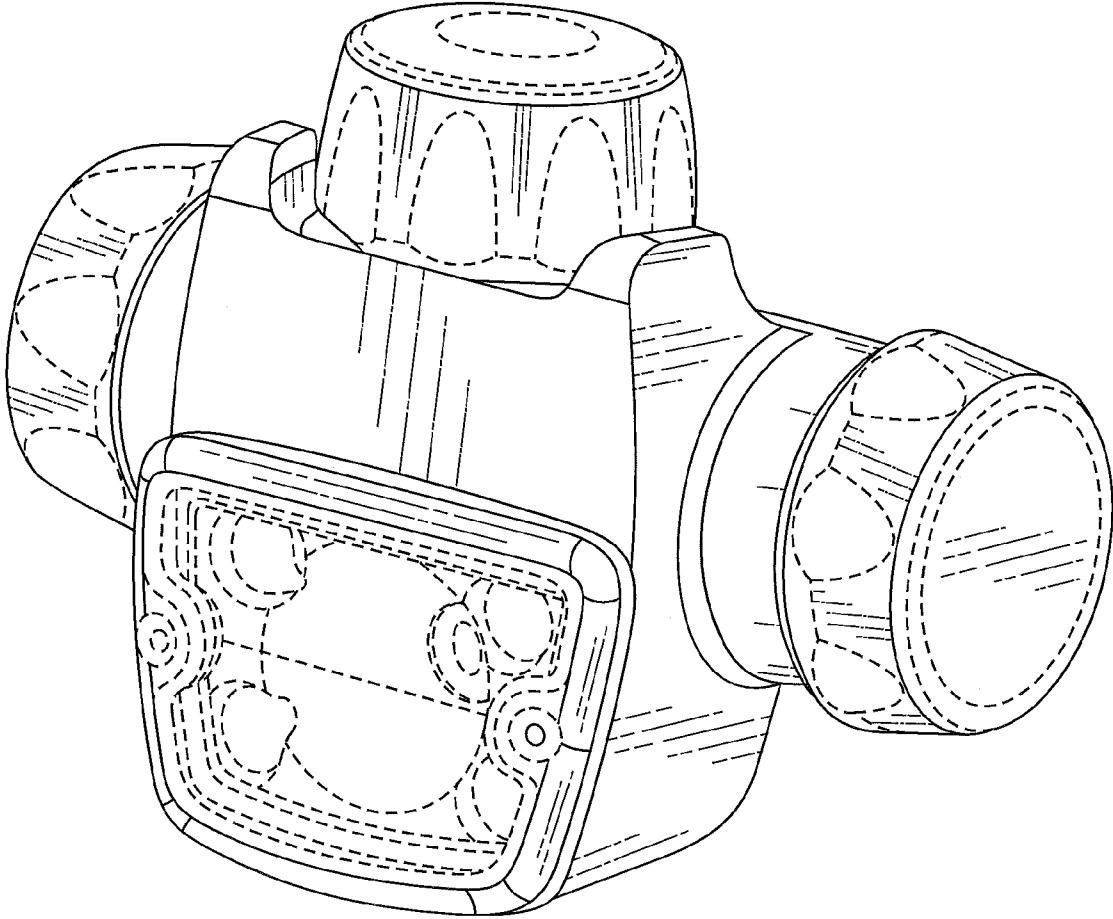


FIG. 1

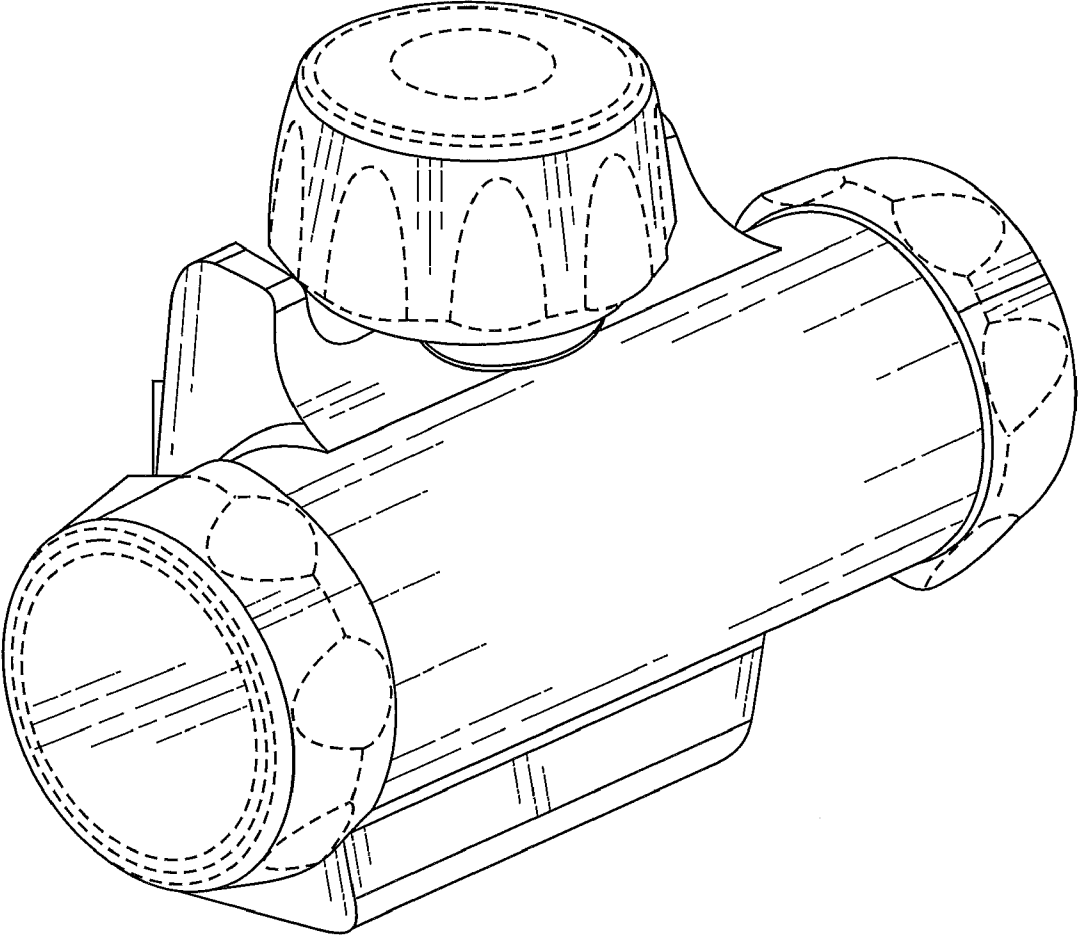


FIG. 2

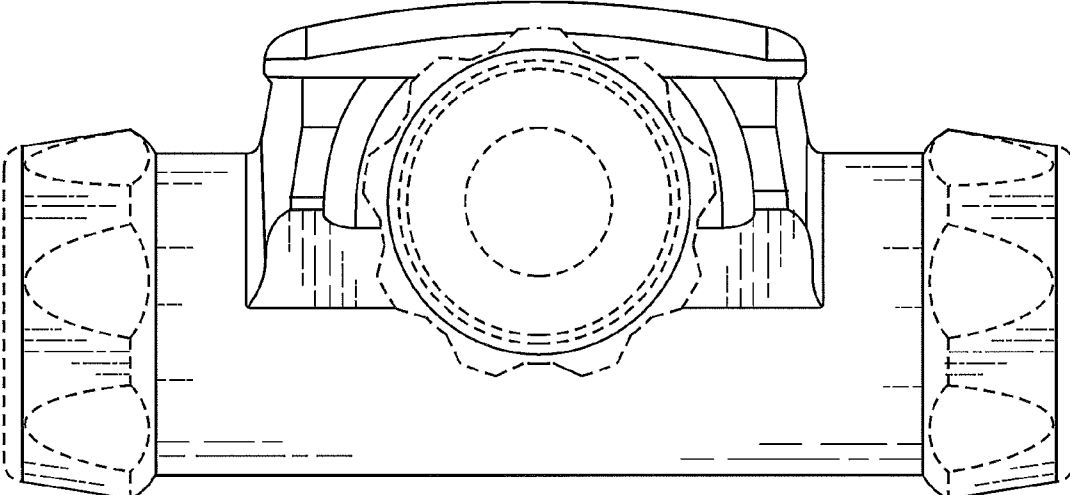


FIG. 3

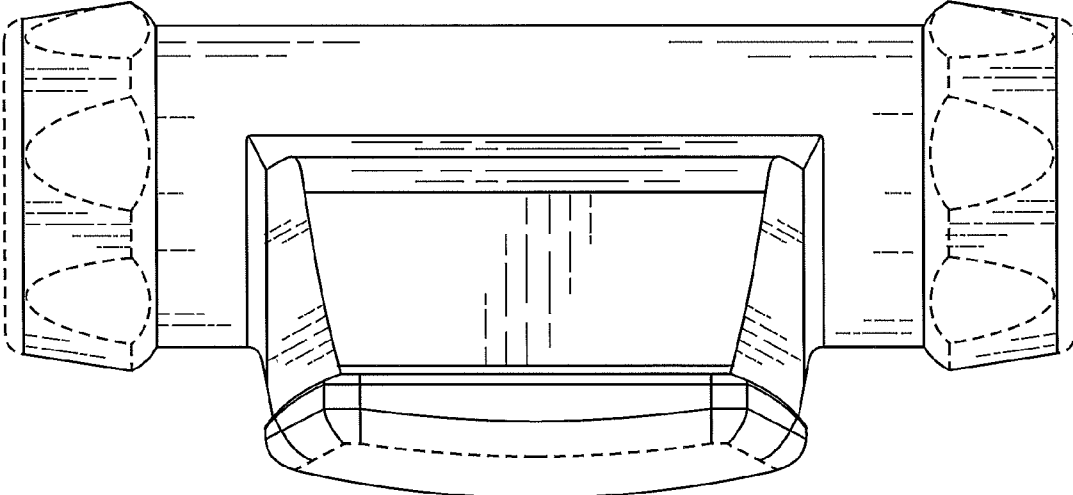


FIG. 4

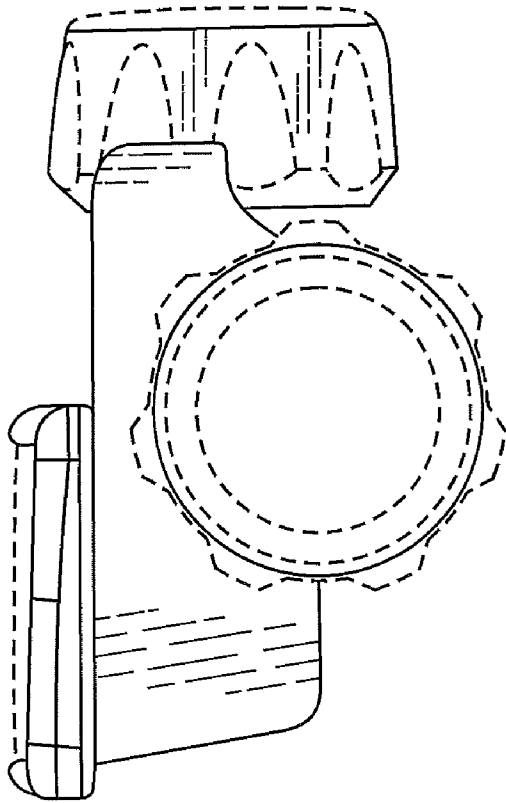


FIG.5

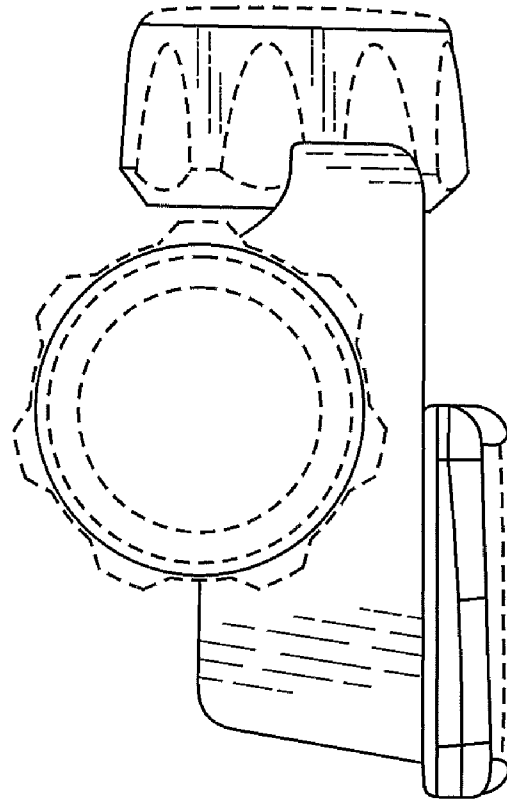


FIG.6

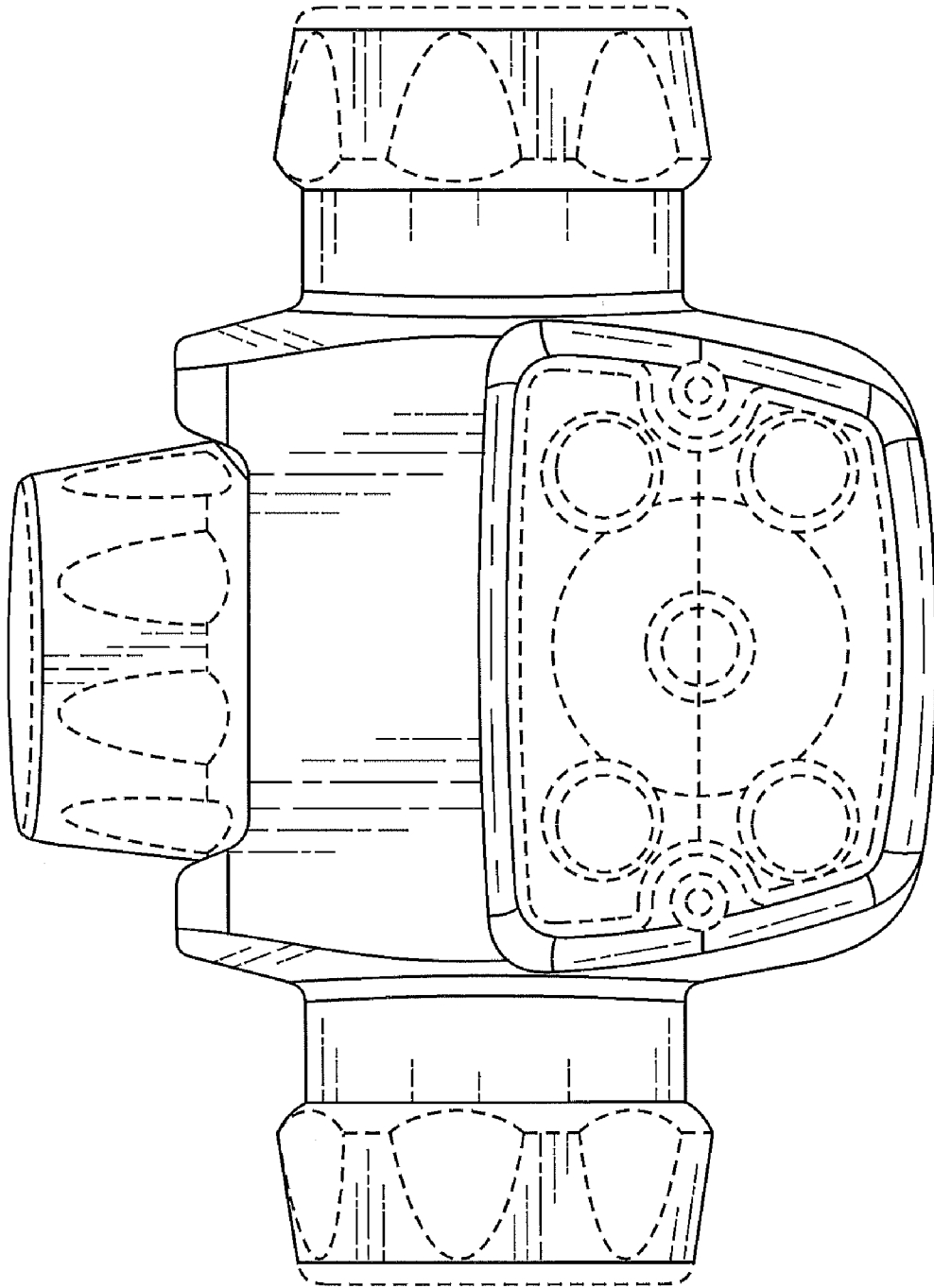


FIG. 7

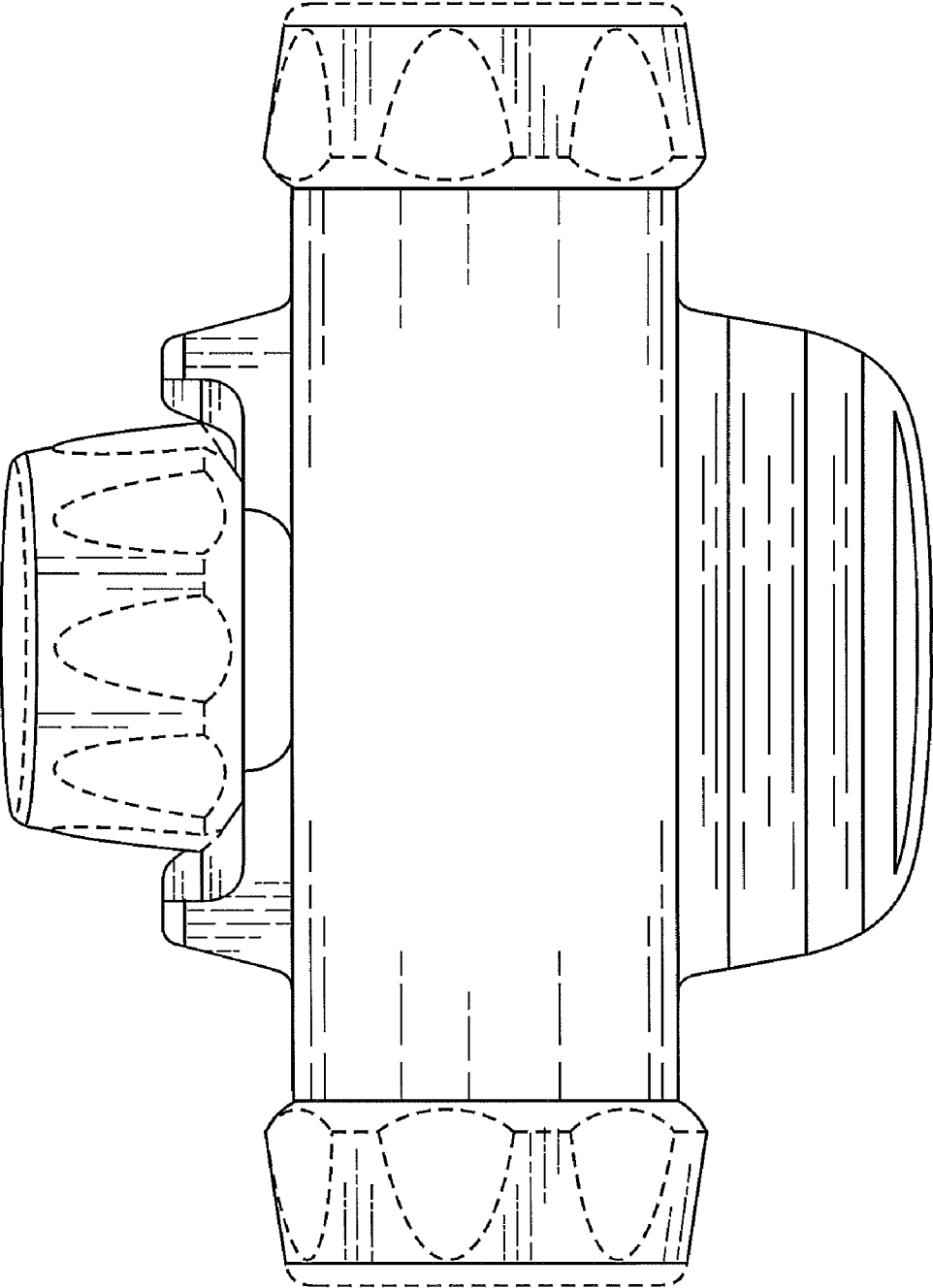


FIG. 8