



US00D605799S

(12) **United States Design Patent**
Kim

(10) **Patent No.:** **US D605,799 S**

(45) **Date of Patent:** **** Dec. 8, 2009**

(54) **FLASHLIGHT**

(75) Inventor: **Paul Y. Kim**, Santa Ana, CA (US)

(73) Assignee: **SureFire, LLC**, Fountain Valley, CA (US)

(**) Term: **14 Years**

(21) Appl. No.: **29/335,191**

(22) Filed: **Apr. 9, 2009**

(51) **LOC (9) Cl.** **26-02**

(52) **U.S. Cl.** **D26/49**

(58) **Field of Classification Search** D26/37,
D26/46, 49; 362/157, 158, 183, 196–208

See application file for complete search history.

(56) **References Cited**

U.S. PATENT DOCUMENTS

D455,513 S	4/2002	Galli	
6,536,917 B1	3/2003	Aperocho et al.	
D473,961 S	4/2003	Galli	
D475,798 S *	6/2003	Galli	D26/37
D476,103 S	6/2003	Galli	
6,793,366 B2	9/2004	Chun	
D497,445 S *	10/2004	Chan	D26/37
D501,054 S *	1/2005	Galli	D26/37
D526,730 S	8/2006	Galli	
7,163,314 B2	1/2007	Sharrah	
D537,965 S *	3/2007	Lee	D26/37
D544,116 S *	6/2007	Wai	D26/37
D544,120 S *	6/2007	Matthews et al.	D26/37
D567,976 S *	4/2008	Shiu	D26/37
7,387,402 B1	6/2008	Lui	
D577,843 S	9/2008	Couture et al.	

OTHER PUBLICATIONS

U.S. Appl. No. 29/323,348, Paul Y. Kim.

U.S. Appl. No. 29/323,350, Paul Y. Kim.

U.S. Appl. No. 29/323,351, Paul Y. Kim.

U.S. Appl. No. 29/323,353, Paul Y. Kim.

U.S. Appl. No. 29/335,188, Paul Y. Kim.

U.S. Appl. No. 29/335,192, Paul Y. Kim.

U.S. Appl. No. 29/325,328, Paul Y. Kim.

U.S. Appl. No. 12/240,778, Paul Y. Kim.

* cited by examiner

Primary Examiner—Ian Simmons

Assistant Examiner—Carissa C Fitts

(74) *Attorney, Agent, or Firm*—Haynes and Boone, LLP

(57) **CLAIM**

The ornamental design for a flashlight, as shown and described.

DESCRIPTION

FIG. 1 is a front perspective view of a flashlight showing my new design;

FIG. 2 is a rear perspective view thereof;

FIG. 3 is a top plan view thereof;

FIG. 4 is a bottom plan view thereof;

FIG. 5 is a left side elevational view thereof;

FIG. 6 is a right side elevational view thereof;

FIG. 7 is a front side elevational view thereof;

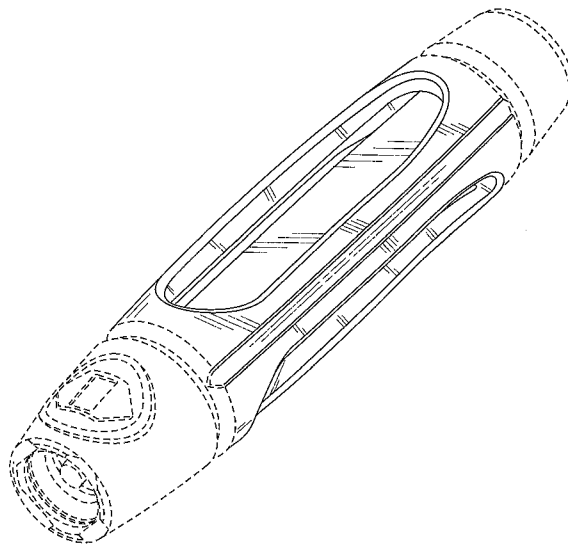
FIG. 8 is a rear side elevational view thereof;

FIG. 9 is a cross-sectional view thereof taken between lines 9—9 of FIG. 5; and,

FIG. 10 is a cross-sectional view thereof taken at line 10—10 of FIG. 8.

The dashed lines in FIGS. 1–10 are shown for illustrative purposes and form no part of the claimed design.

1 Claim, 8 Drawing Sheets



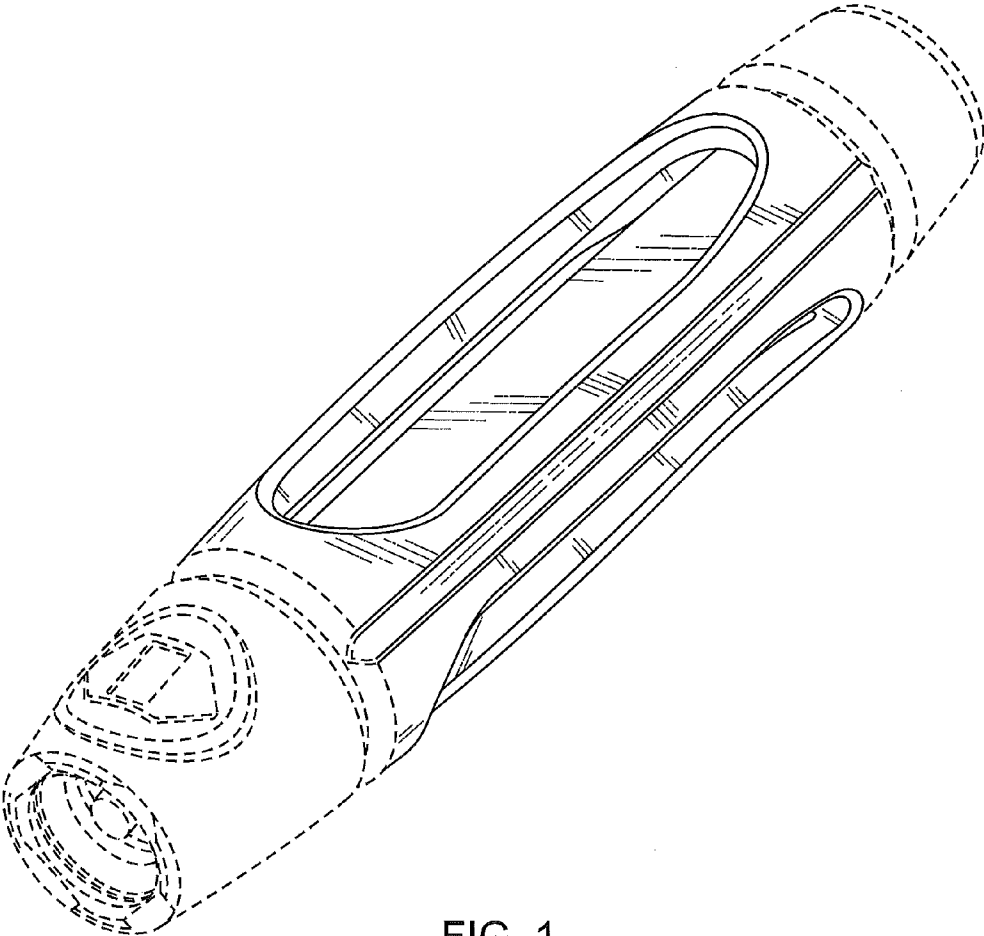


FIG. 1

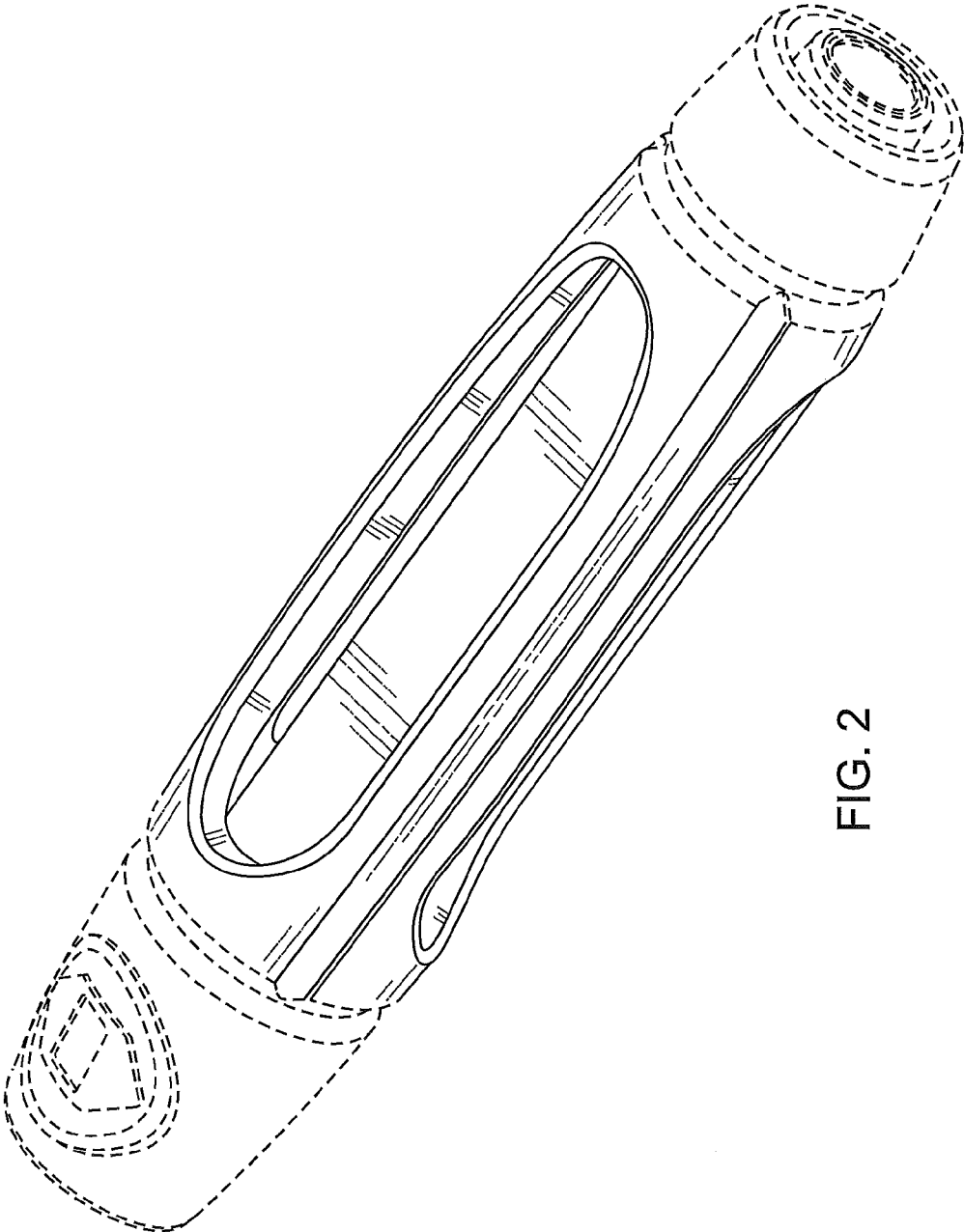


FIG. 2

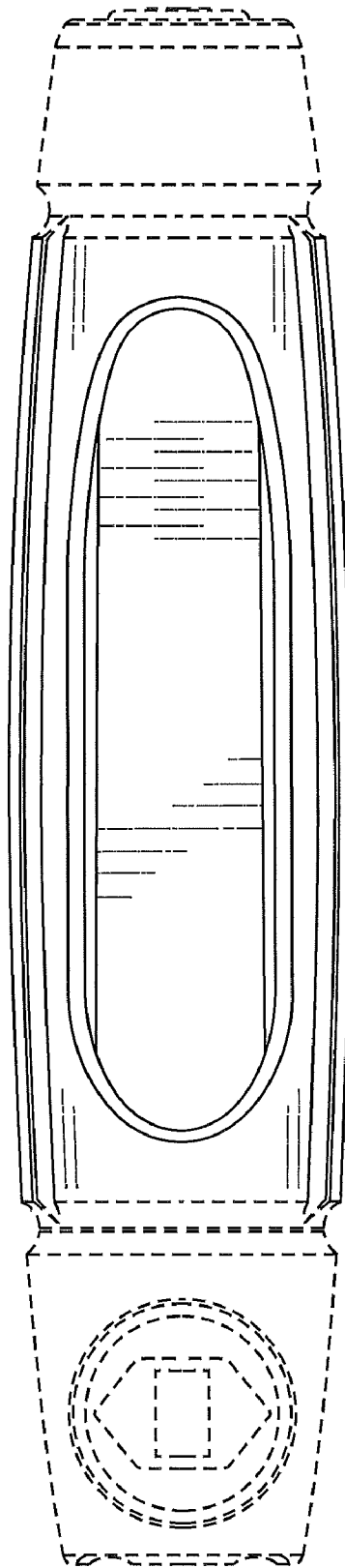


FIG. 3

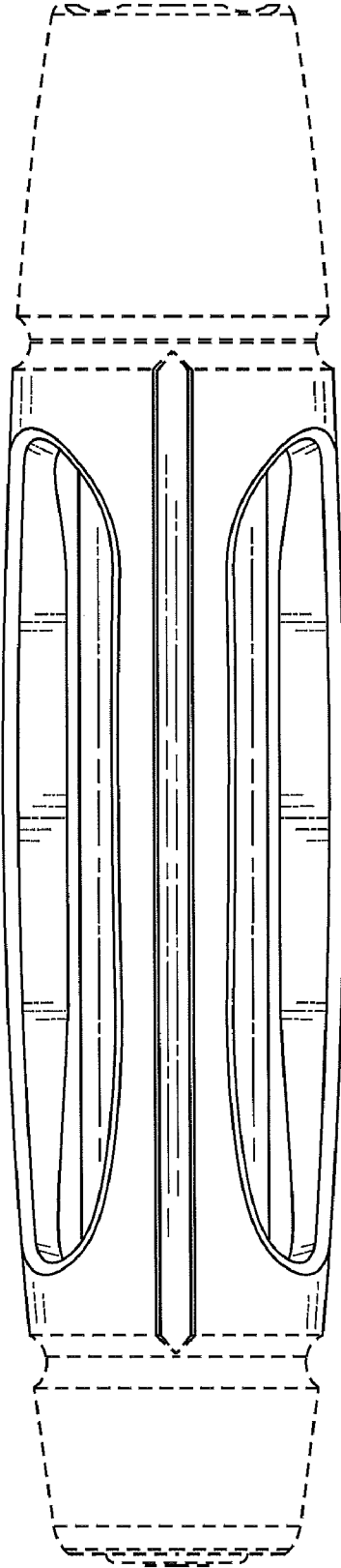


FIG. 4

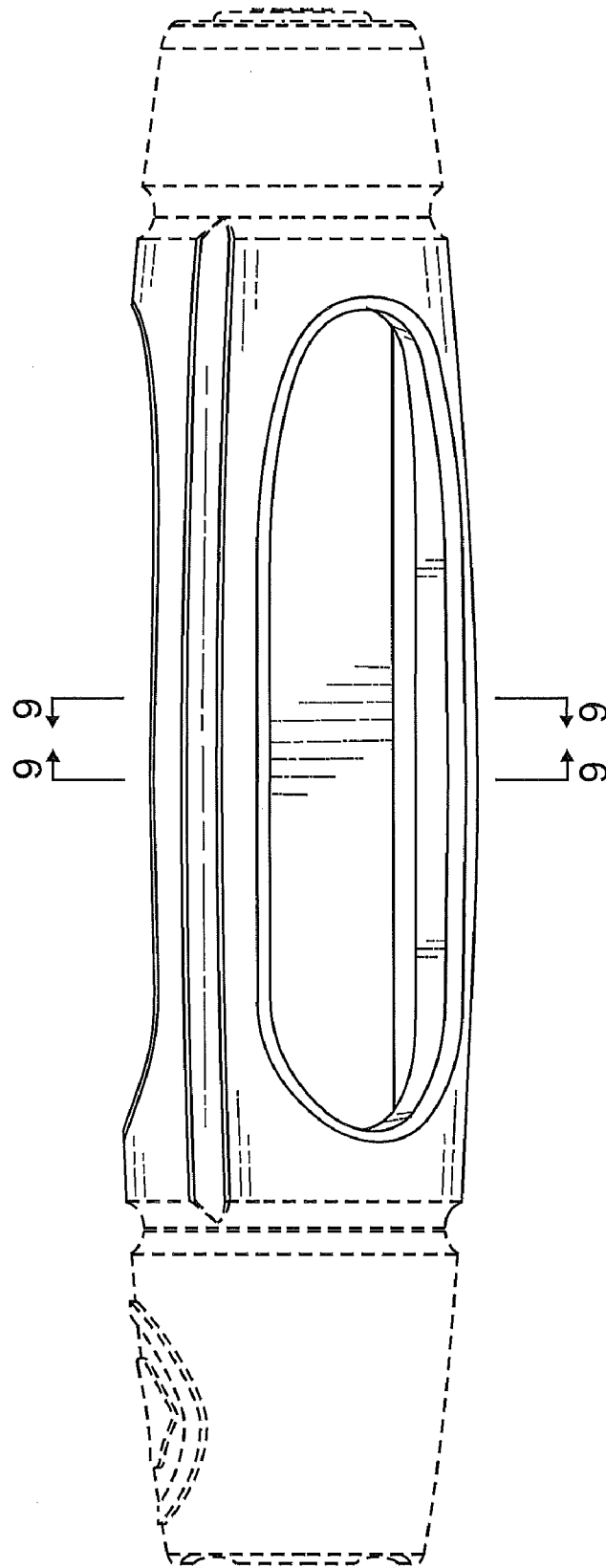


FIG. 5

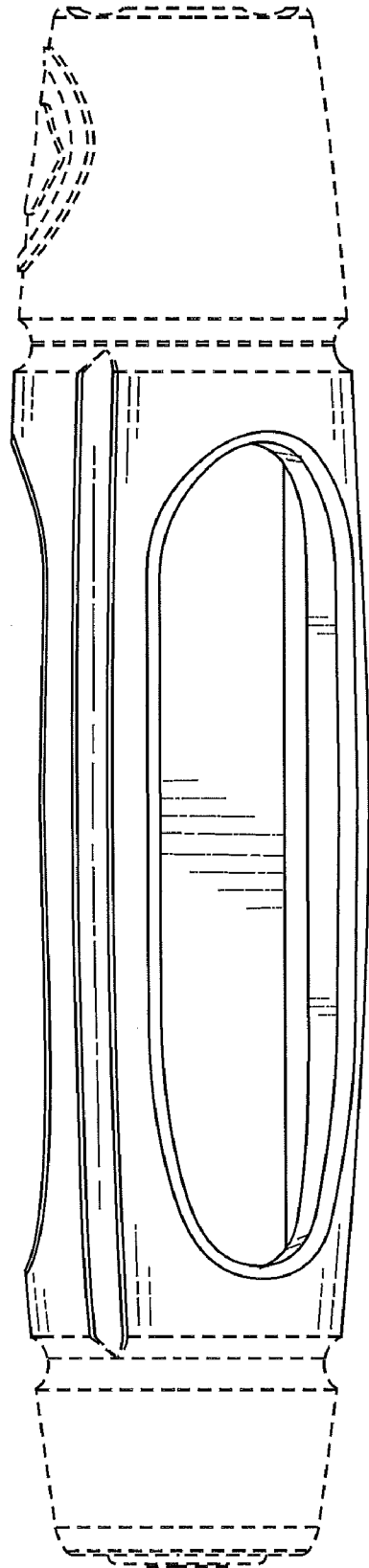


FIG. 6

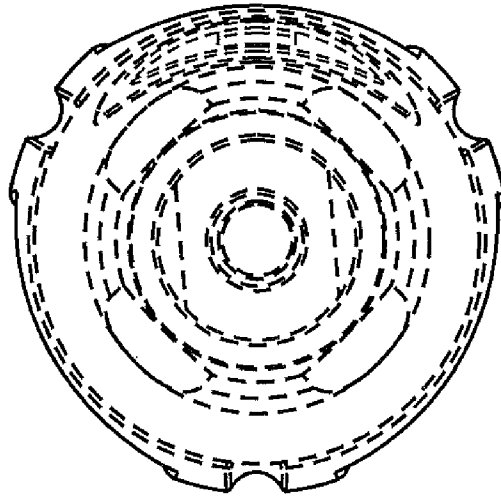


FIG. 7

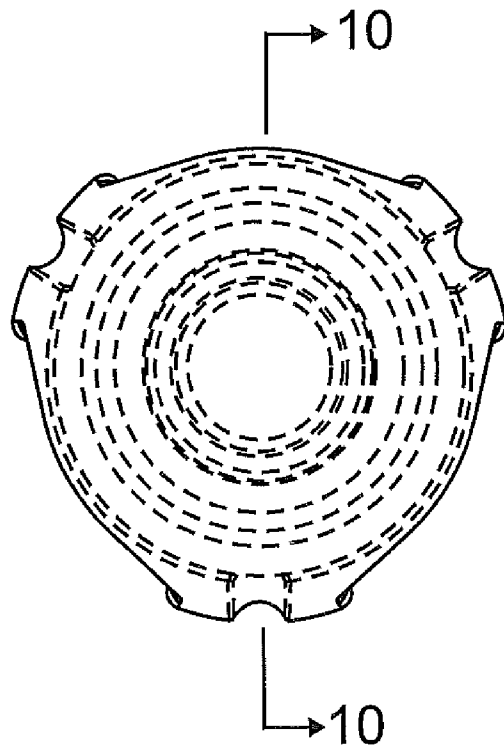


FIG. 8

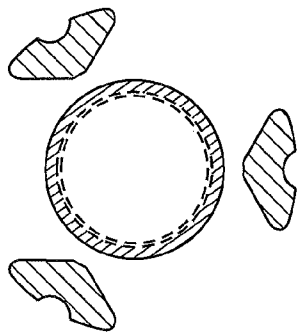


FIG. 9

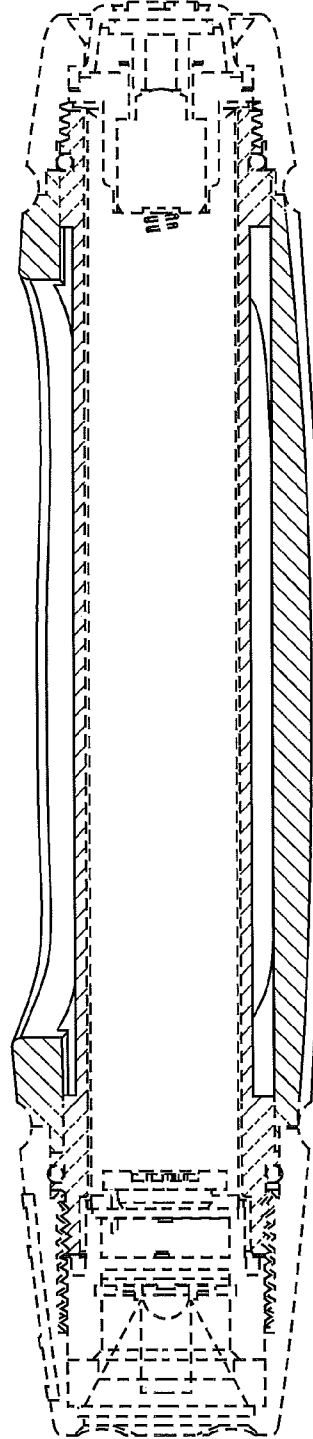


FIG. 10