



US00D605798S

(12) **United States Design Patent**  
**Kim**

(10) **Patent No.:** **US D605,798 S**  
(45) **Date of Patent:** **\*\* Dec. 8, 2009**

(54) **FLASHLIGHT**

(75) Inventor: **Paul Y. Kim**, Santa Ana, CA (US)

(73) Assignee: **SureFire, LLC**, Fountain Valley, CA (US)

(\*\*) Term: **14 Years**

(21) Appl. No.: **29/335,188**

(22) Filed: **Apr. 9, 2009**

(51) **LOC (9) Cl.** ..... **26-02**

(52) **U.S. Cl.** ..... **D26/49**

(58) **Field of Classification Search** ..... D26/37,  
D26/46, 49; 362/157, 158, 183

See application file for complete search history.

(56) **References Cited**

**U.S. PATENT DOCUMENTS**

D455,513	S	4/2002	Galli	
6,536,917	B1	3/2003	Aperocho et al.	
D473,961	S	4/2003	Galli	
D475,798	S *	6/2003	Galli	D26/37
D476,103	S	6/2003	Galli	
6,793,366	B2	9/2004	Chun	
D497,445	S *	10/2004	Chan	D26/37
D501,054	S *	1/2005	Galli	D26/37
D526,730	S	8/2006	Galli	
7,163,314	B2	1/2007	Sharrah	
D537,965	S *	3/2007	Lee	D26/37
D544,116	S *	6/2007	Wai	D26/37
D544,120	S *	6/2007	Matthews et al.	D26/37
D567,976	S *	4/2008	Shiu	D26/37
7,387,402	B1	6/2008	Lui	
D577,843	S	9/2008	Couture et al.	

**OTHER PUBLICATIONS**

U.S. Appl. No. 29/323,348, Paul Y. Kim.  
U.S. Appl. No. 29/323,350, Paul Y. Kim.

U.S. Appl. No. 29/323,351, Paul Y. Kim.  
U.S. Appl. No. 29/323,353, Paul Y. Kim.  
U.S. Appl. No. 29/335,191, Paul Y. Kim.  
U.S. Appl. No. 29/335,192, Paul Y. Kim.  
U.S. Appl. No. 29/325,328, Paul Y. Kim.  
U.S. Appl. No. 12/240,778, Paul Y. Kim.

\* cited by examiner

*Primary Examiner*—Ian Simmons  
*Assistant Examiner*—Carissa C Fitts

(74) *Attorney, Agent, or Firm*—Haynes and Boone, LLP

(57) **CLAIM**

The ornamental design for a flashlight, as shown and described.

**DESCRIPTION**

FIG. 1 is a front perspective view of a flashlight showing my new design;

FIG. 2 is a rear perspective view thereof;

FIG. 3 is a top plan view thereof;

FIG. 4 is a bottom plan view thereof;

FIG. 5 is a left side elevational view thereof;

FIG. 6 is a right side elevational view thereof;

FIG. 7 is a front side elevational view thereof;

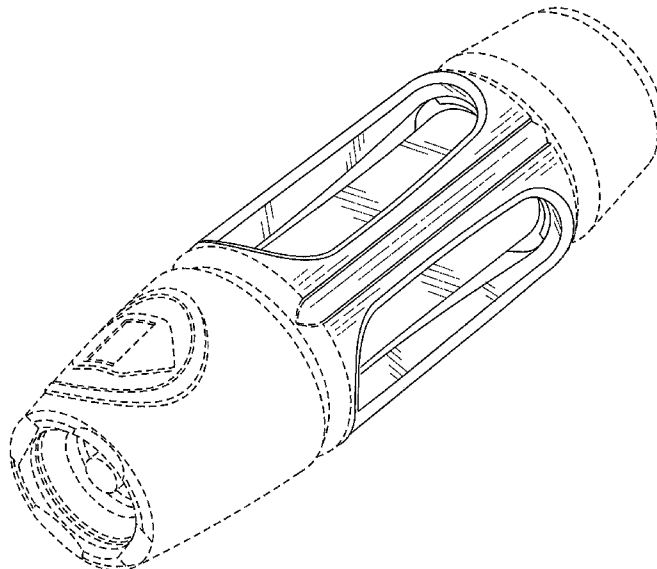
FIG. 8 is a rear side elevational view thereof;

FIG. 9 is a cross-sectional view thereof taken between lines 9—9 of FIG. 5; and,

FIG. 10 is a cross-sectional view thereof taken at line 10—10 of FIG. 8.

The dashed lines in FIGS. 1—10 are shown for illustrative purposes and form no part of the claimed design.

**1 Claim, 8 Drawing Sheets**



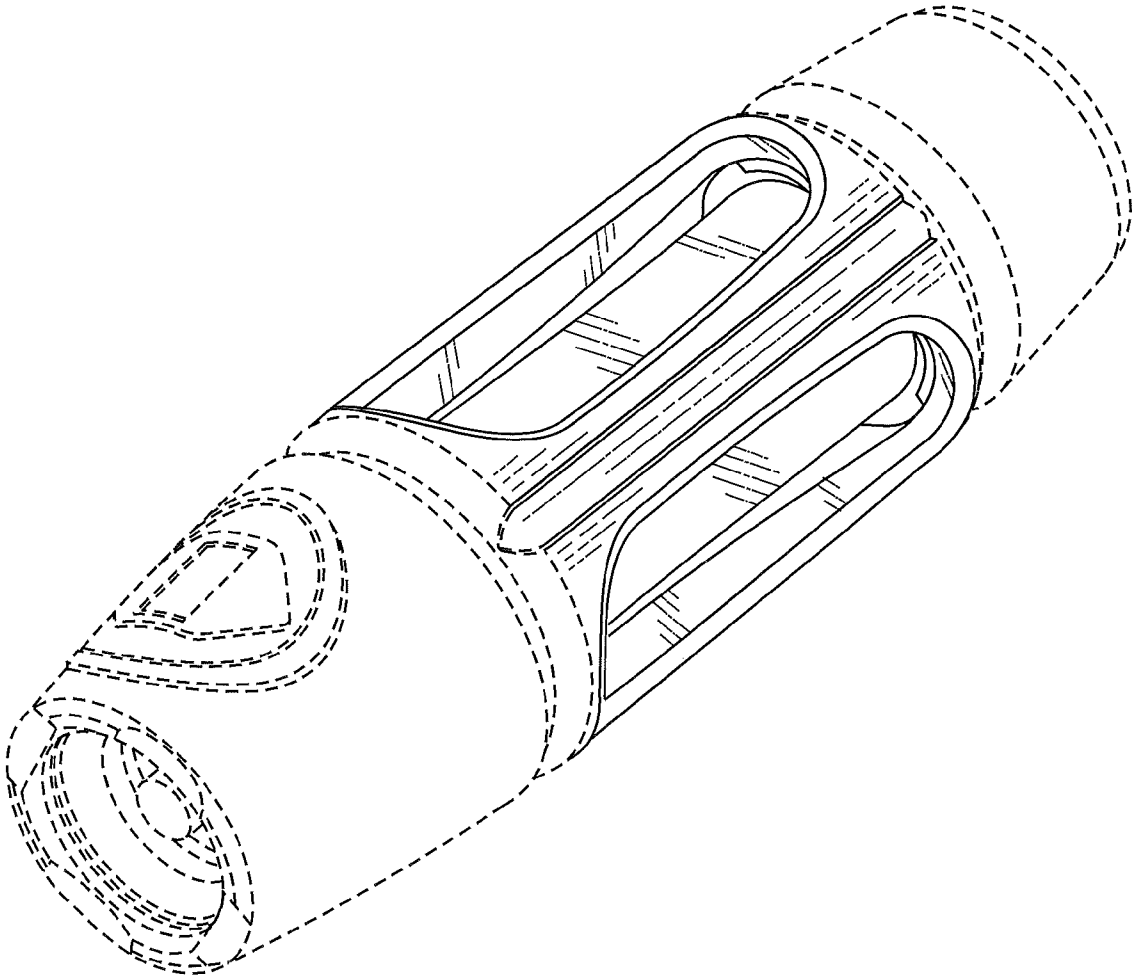


FIG. 1

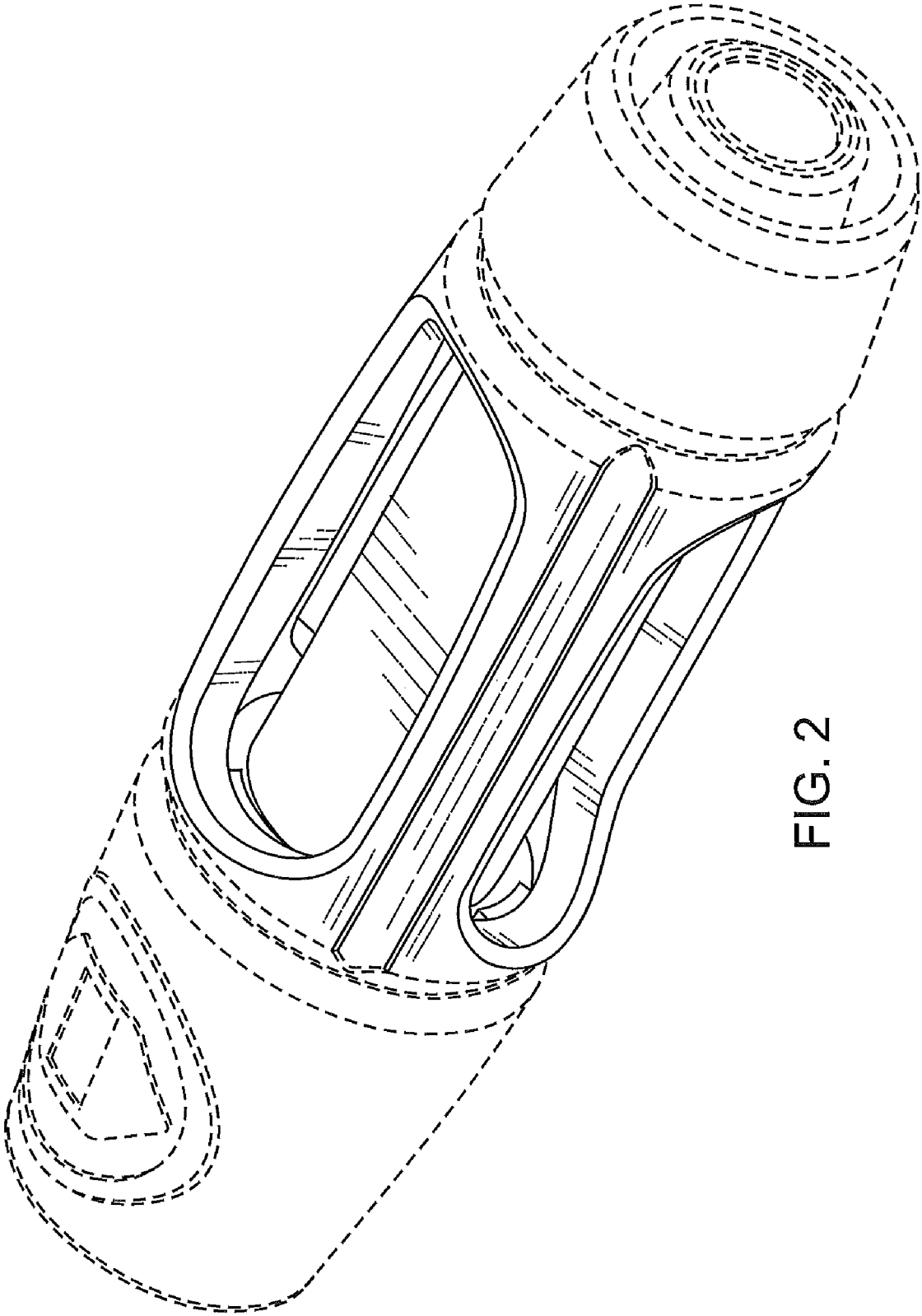


FIG. 2

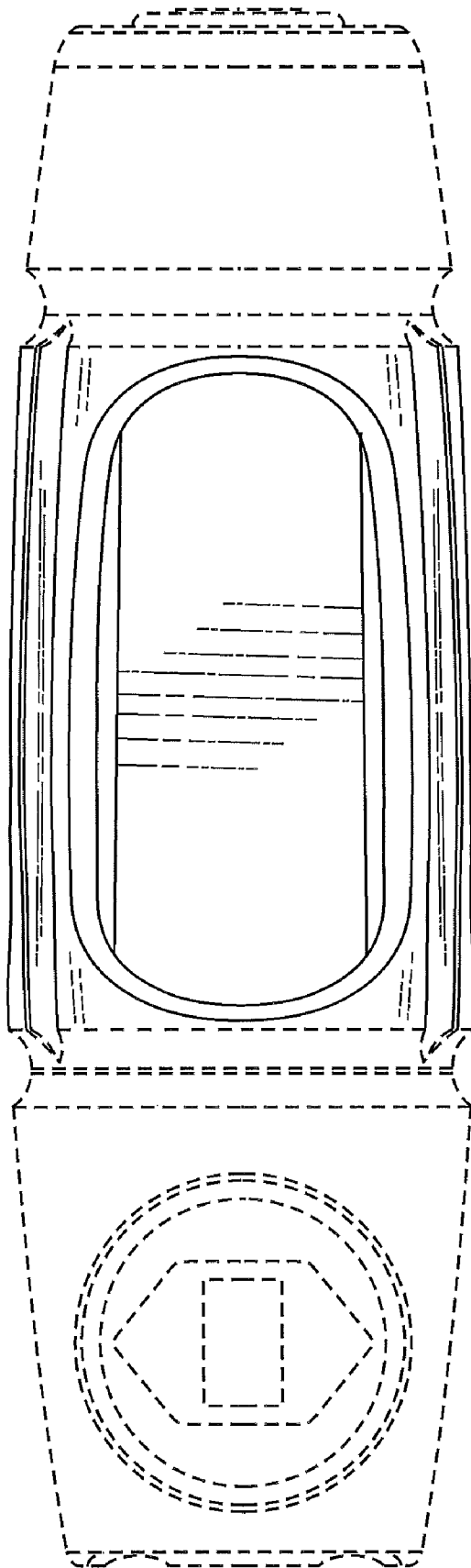


FIG. 3

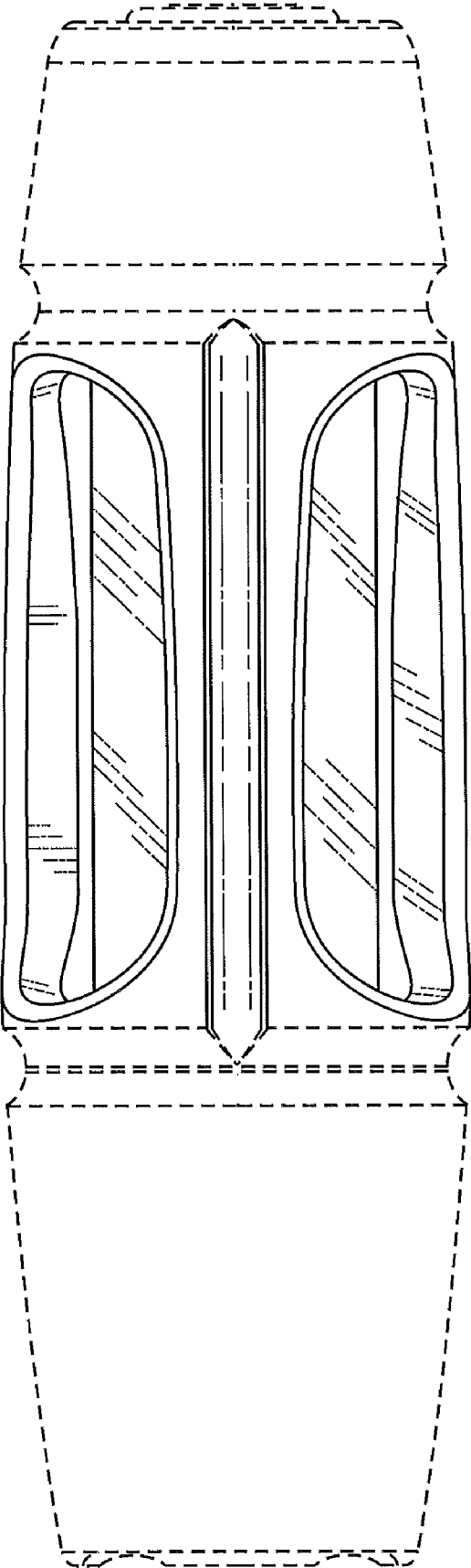


FIG. 4

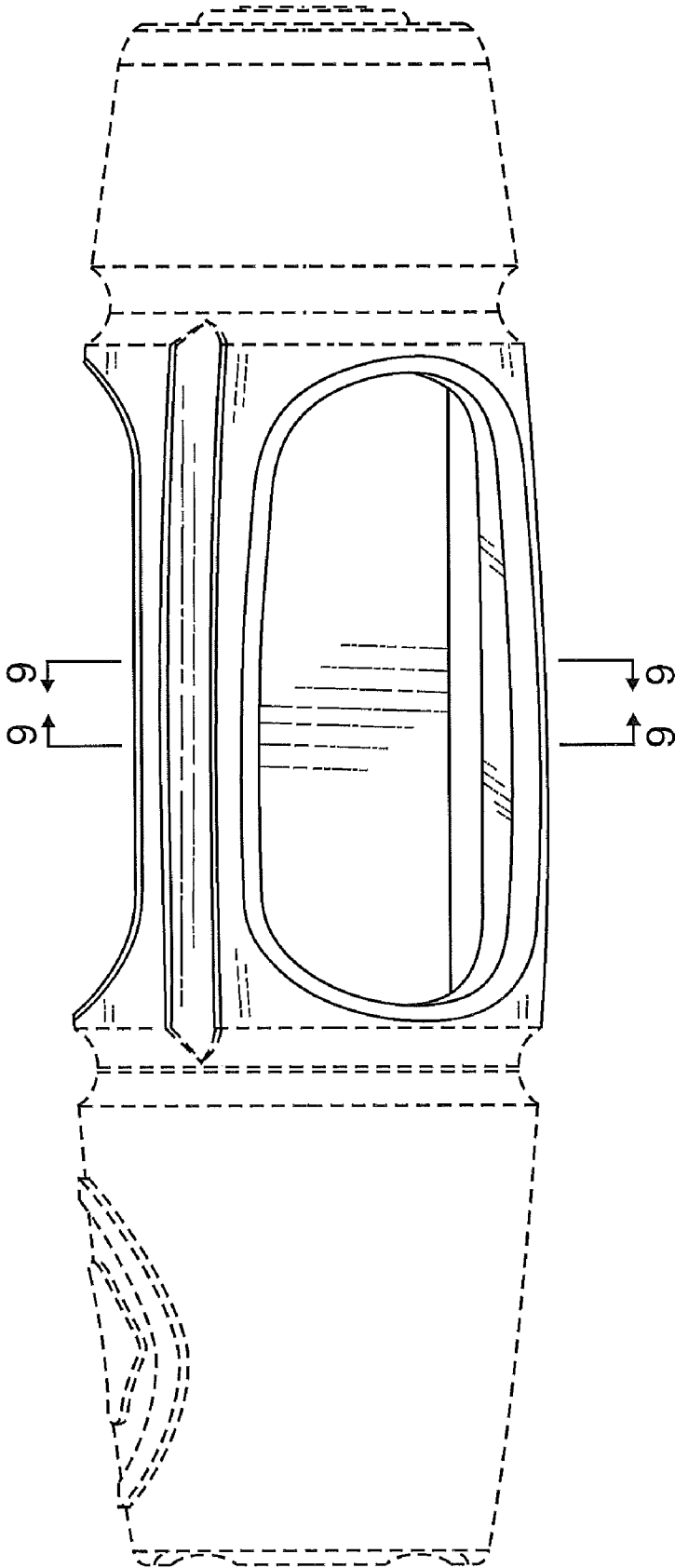


FIG. 5

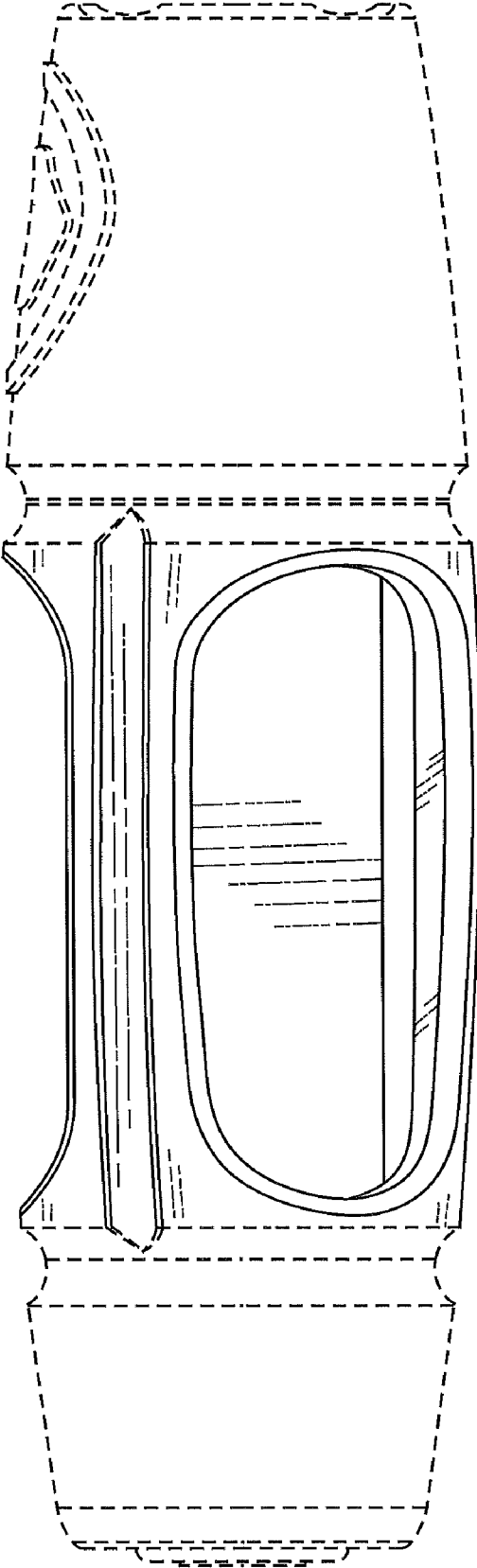


FIG. 6

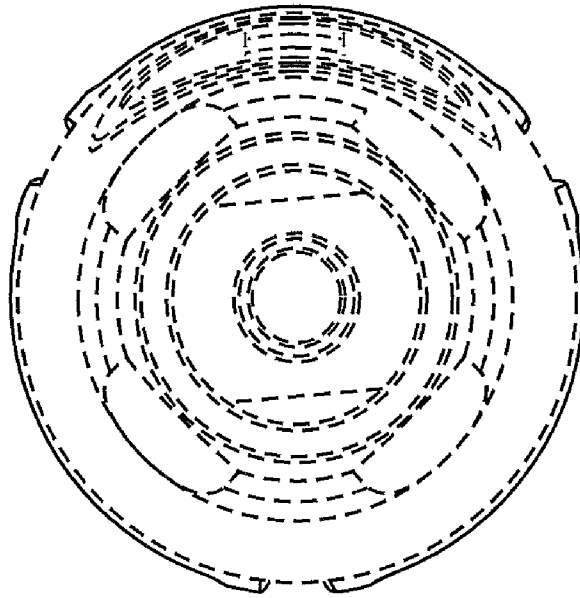


FIG. 7

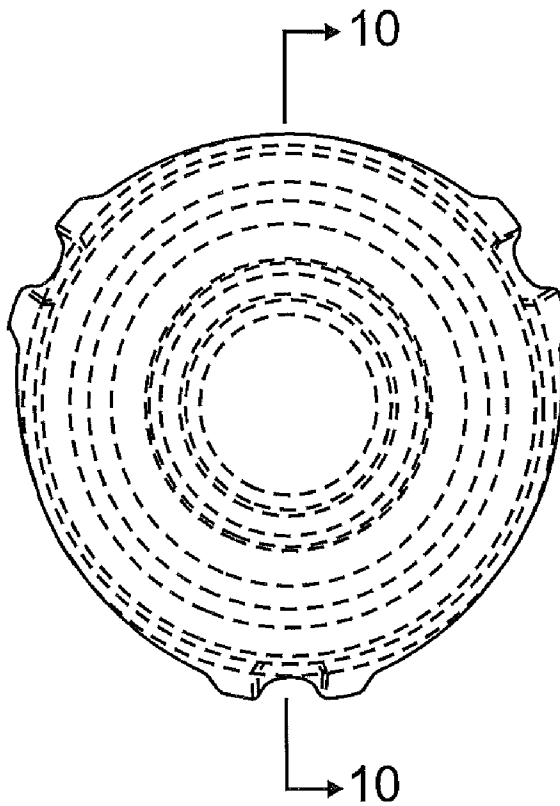


FIG. 8



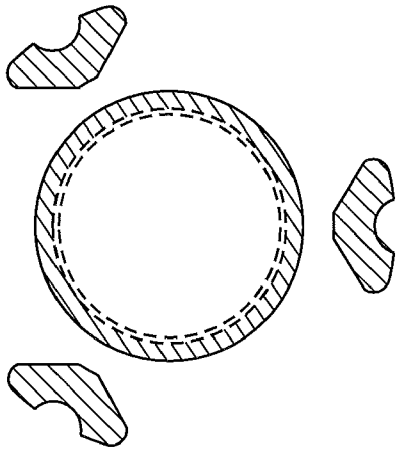


FIG. 9

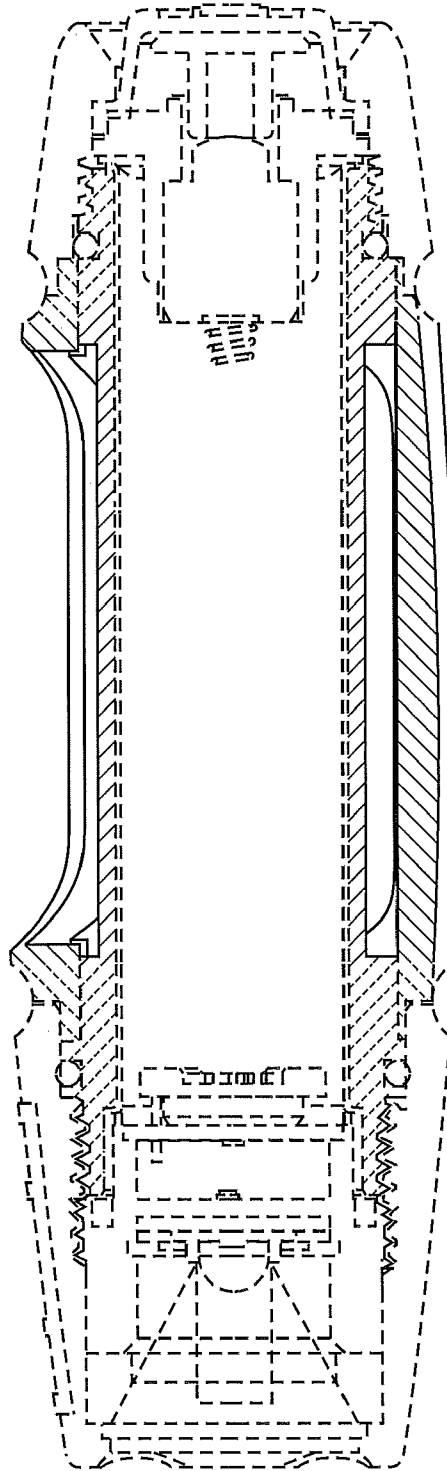


FIG. 10