



US00D624676S

(12) **United States Design Patent**
Kim

(10) **Patent No.:** **US D624,676 S**

(45) **Date of Patent:** **** Sep. 28, 2010**

(54) **LIGHTING DEVICE**

(75) Inventor: **Paul Y. Kim**, Santa Ana, CA (US)

(73) Assignee: **SureFire, LLC**, Fountain Valley, CA (US)

(**) Term: **14 Years**

(21) Appl. No.: **29/353,790**

(22) Filed: **Jan. 14, 2010**

(51) **LOC (9) Cl.** **26-02**

(52) **U.S. Cl.** **D26/46**

(58) **Field of Classification Search** D26/37,
D26/38, 39, 46, 49; 362/157, 158, 183, 184,
362/194–196, 200–208

See application file for complete search history.

(56) **References Cited**

U.S. PATENT DOCUMENTS

D473,961	S	*	4/2003	Galli	D26/49
D537,965	S	*	3/2007	Lee	D26/37
D544,116	S	*	6/2007	Wai	D26/37
D544,120	S	*	6/2007	Matthews et al.	D26/37
D605,798	S	*	12/2009	Kim	D26/49
D605,799	S	*	12/2009	Kim	D26/49
D606,219	S	*	12/2009	Kim	D26/46
D606,220	S	*	12/2009	Kim	D26/46
D606,686	S	*	12/2009	Kim	D26/46
D606,687	S	*	12/2009	Kim	D26/46

* cited by examiner

Primary Examiner—Charles A Rademaker

Assistant Examiner—Carissa C Fitts

(74) *Attorney, Agent, or Firm*—Haynes and Boone, LLP

(57) **CLAIM**

The ornamental design for a lighting device, as shown and described.

DESCRIPTION

FIG. 1 is a front perspective view of a lighting device showing my new design;

FIG. 2 is a rear perspective view thereof;

FIG. 3 is a top plan view thereof;

FIG. 4 is a bottom plan view thereof;

FIG. 5 is a left side elevational view thereof;

FIG. 6 is a right side elevational view thereof;

FIG. 7 is a front side elevational view thereof;

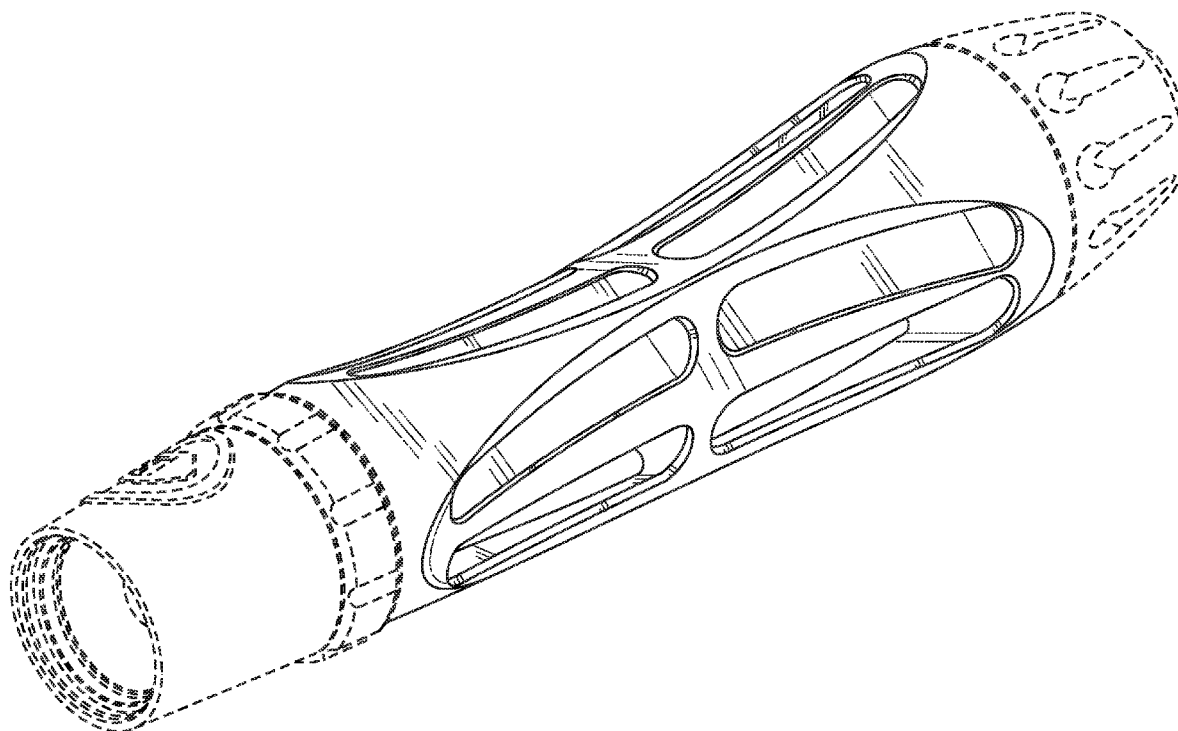
FIG. 8 is a rear side elevational view thereof;

FIG. 9 is a cross-sectional view thereof taken between lines 9—9 of FIG. 5; and,

FIG. 10 is a cross-sectional view thereof taken at line 10—10 of FIG. 8.

The dashed lines in FIGS. 1-10 are shown for illustrative purposes and form no part of the claimed design.

1 Claim, 8 Drawing Sheets



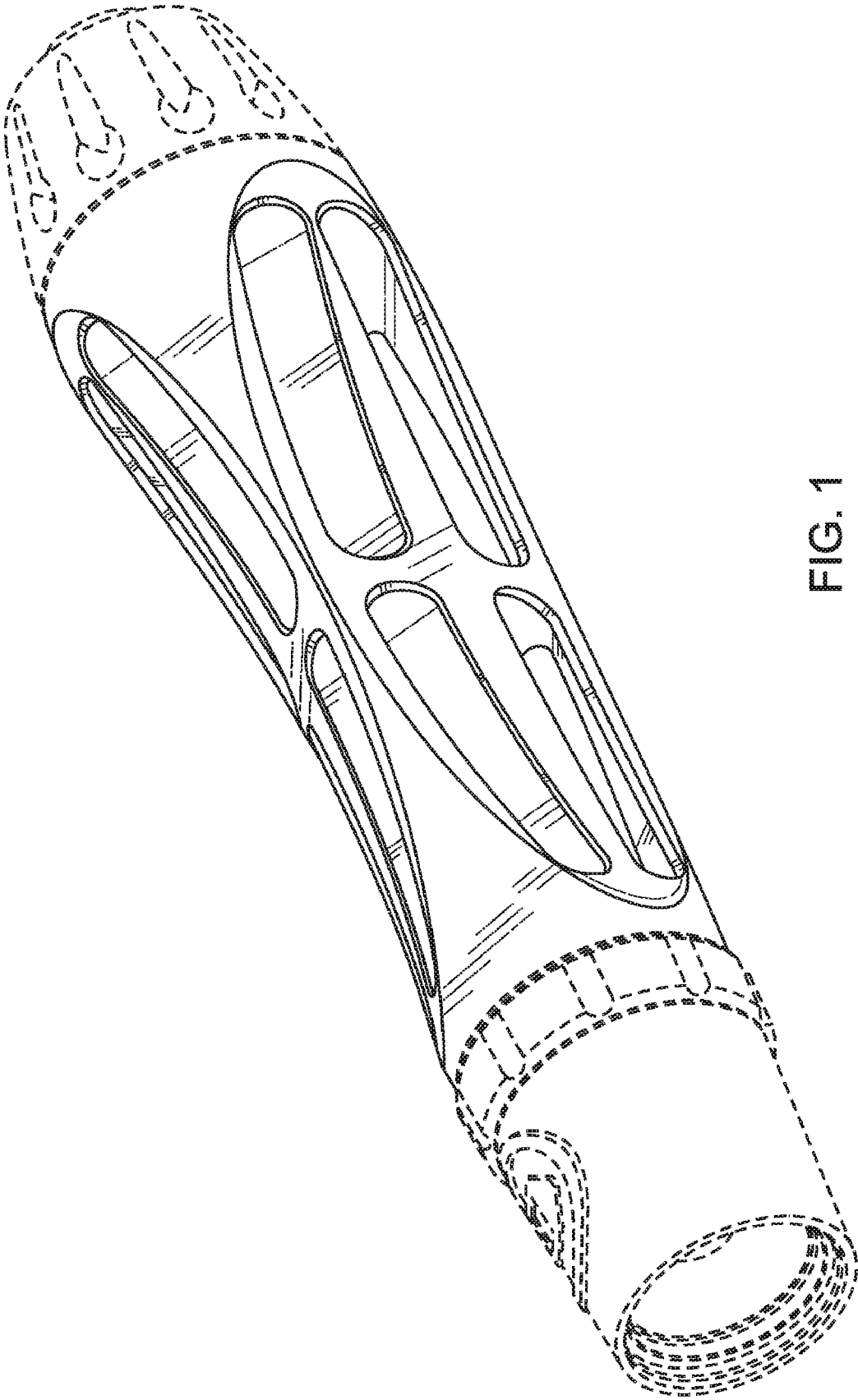


FIG. 1

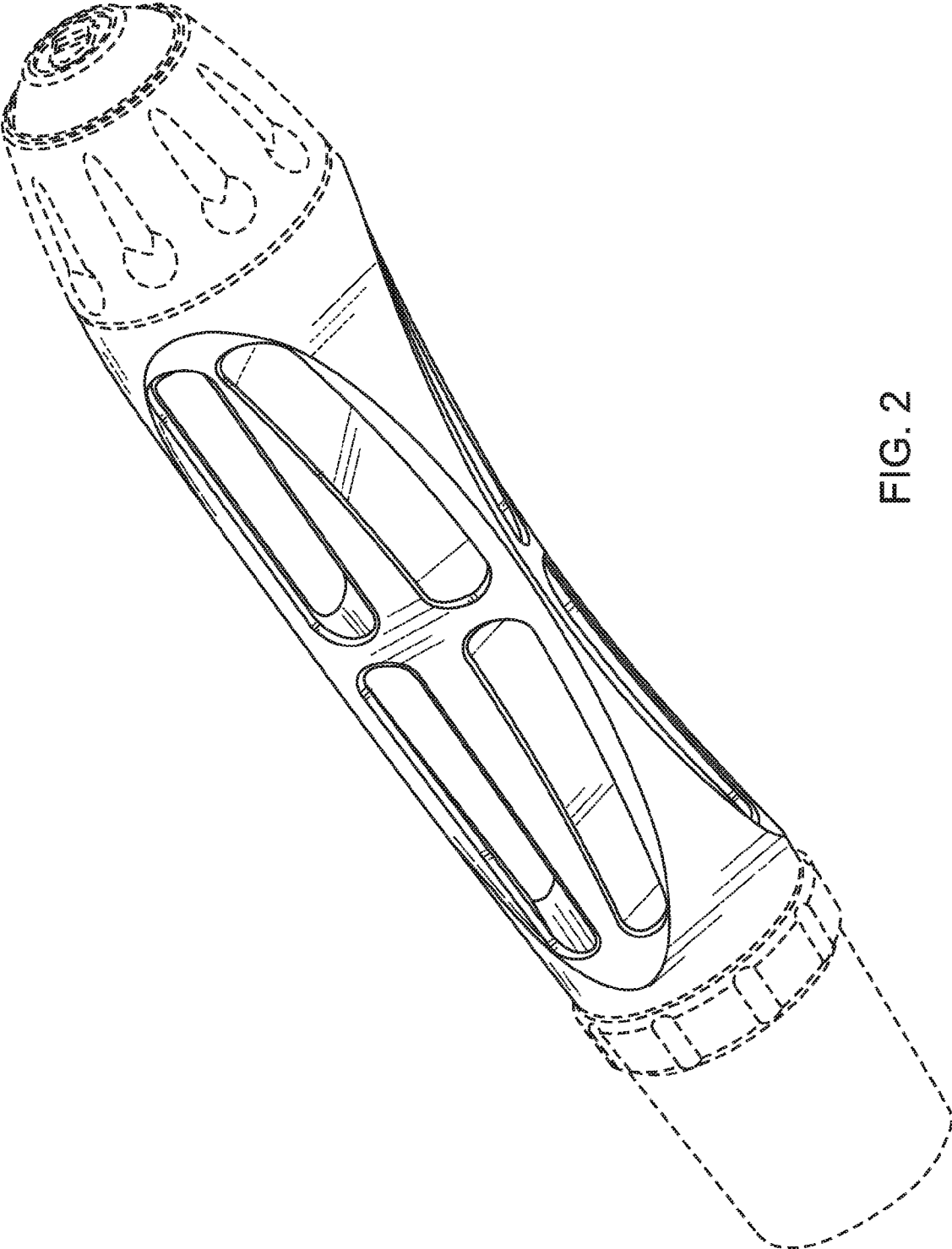


FIG. 2

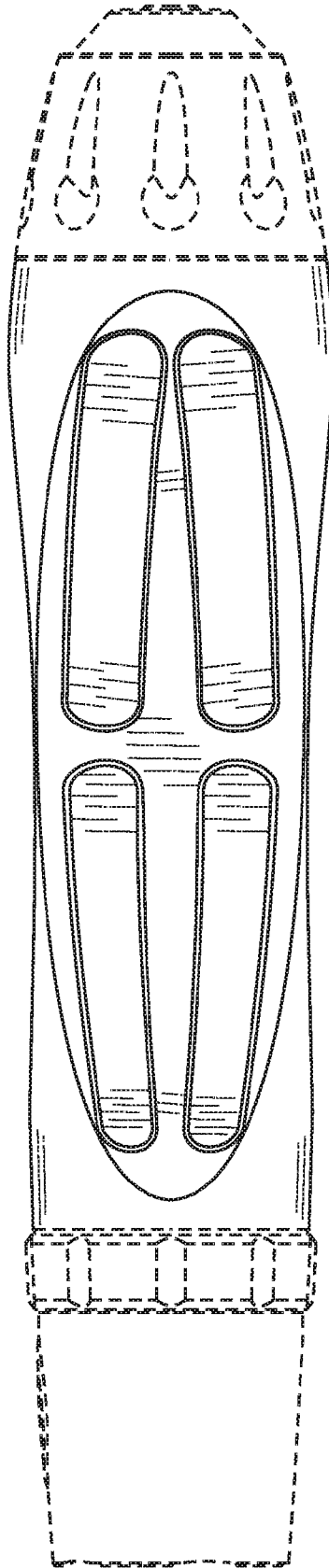


FIG. 3

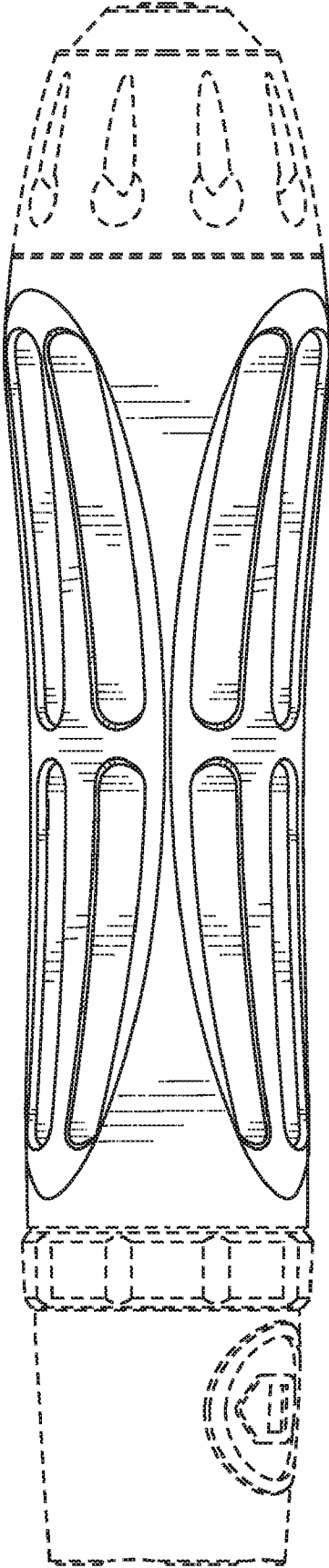


FIG. 4

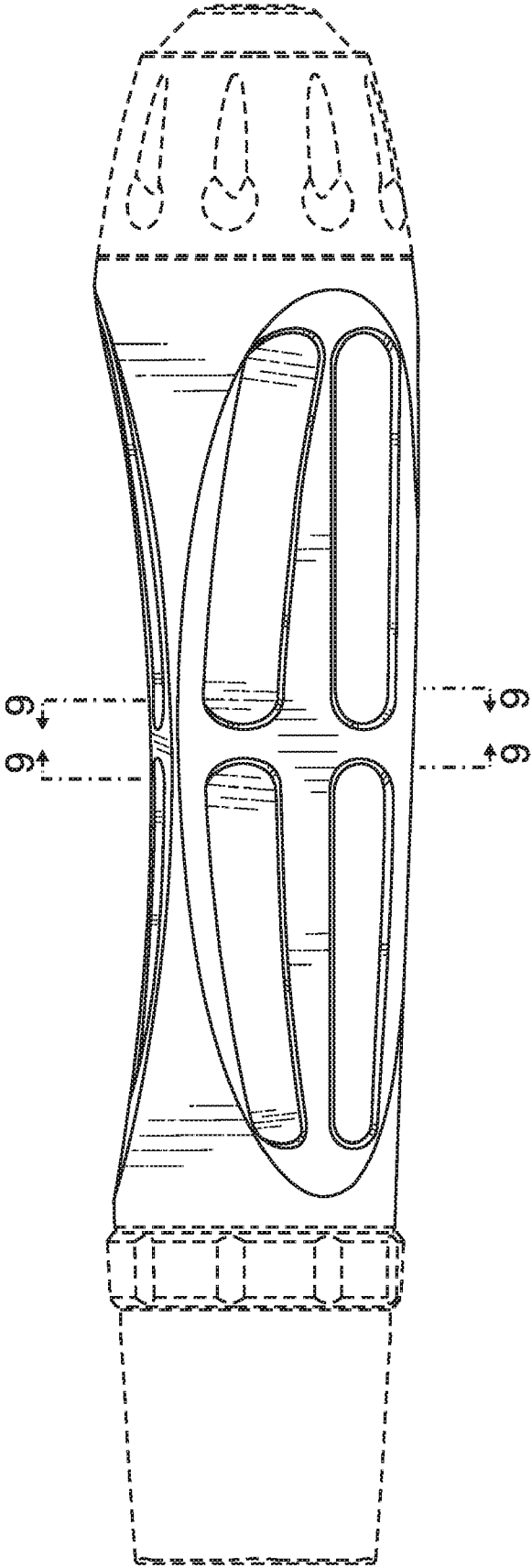


FIG. 5

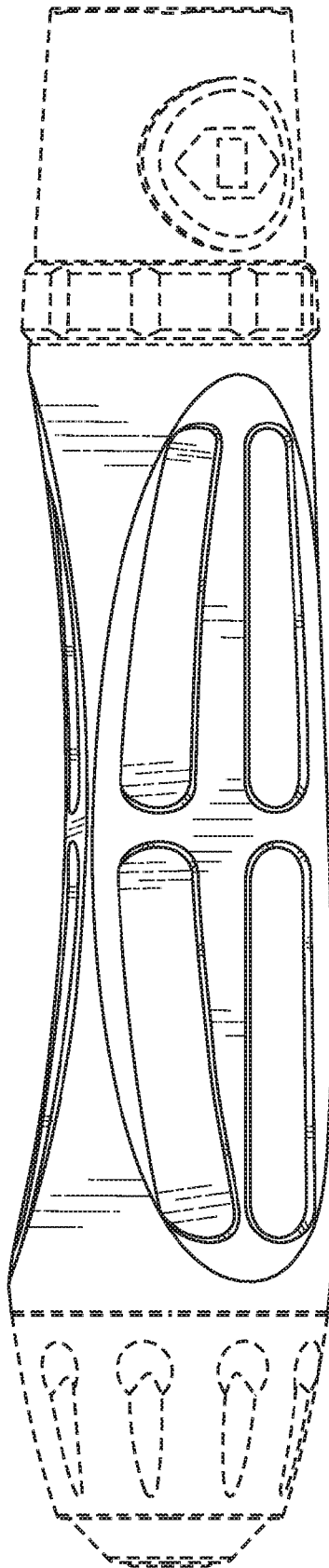


FIG. 6

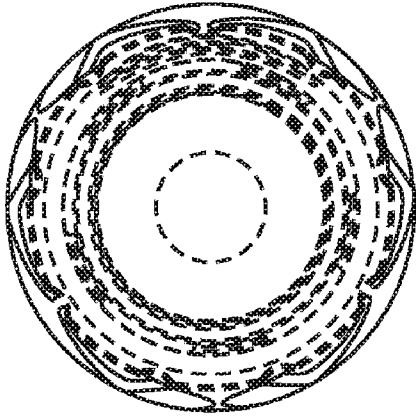


FIG. 7

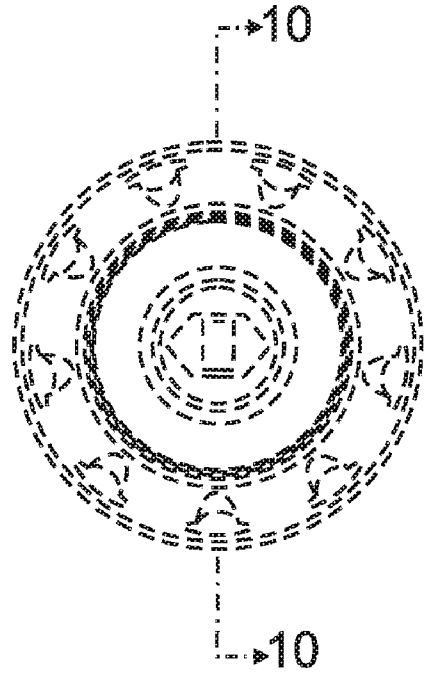


FIG. 8

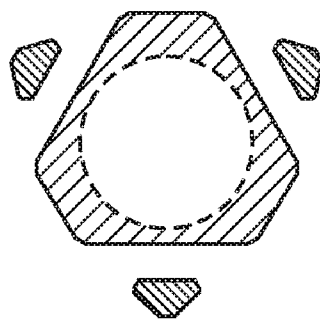


FIG. 9

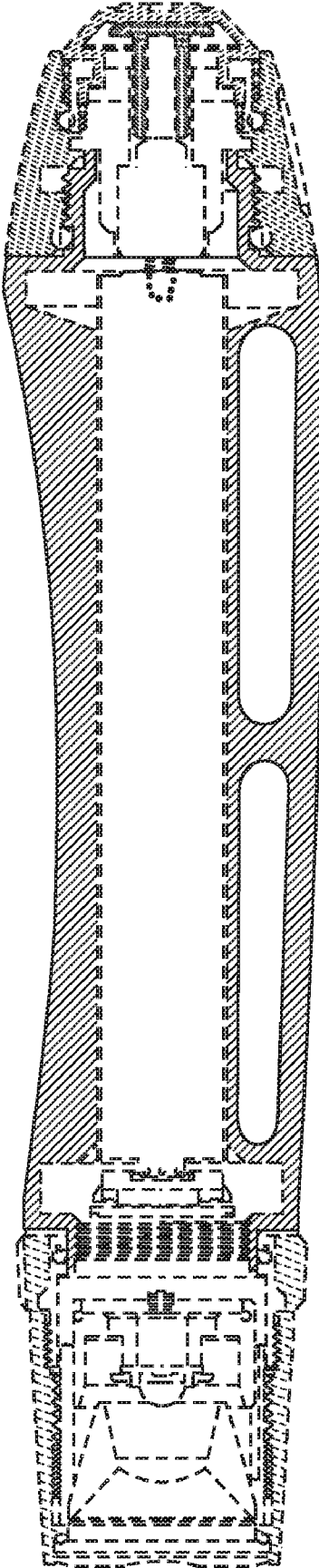


FIG. 10