



US00D572854S

(12) **United States Design Patent**
Kim

(10) **Patent No.:** **US D572,854 S**

(45) **Date of Patent:** **** Jul. 8, 2008**

(54) **FLASHLIGHT BODY PORTION**

(75) Inventor: **Paul Y. Kim**, Santa Ana, CA (US)

(73) Assignee: **Surefire, LLC**, Fountain Valley, CA (US)

(**) Term: **14 Years**

(21) Appl. No.: **29/271,716**

(22) Filed: **Jan. 24, 2007**

Related U.S. Application Data

(63) Continuation-in-part of application No. 29/223,115, filed on Feb. 9, 2005, now abandoned.

(51) **LOC (8) Cl.** **26-02**

(52) **U.S. Cl.** **D26/49**

(58) **Field of Classification Search** D26/37,
D26/46, 48, 49, 50; 362/157, 158, 183, 196,
362/195, 194, 203-207; D8/82, 83; D7/649,
D7/345

See application file for complete search history.

(56) **References Cited**

U.S. PATENT DOCUMENTS

D37,922 S	3/1906	Tower	
D37,993 S	5/1906	Tower	
D37,998 S	5/1906	Tower	
D261,981 S *	11/1981	Fee et al.	D8/82
D322,141 S *	12/1991	Yuen	D26/49
D329,367 S	9/1992	Landy	
D360,958 S	8/1995	Huen	
D373,208 S *	8/1996	Yuen	D26/38
D427,701 S	7/2000	Winkler	
D446,689 S	8/2001	Van Leeuwen	
D465,701 S	11/2002	Epstein et al.	
D474,654 S	5/2003	Hasegawa	
D477,980 S	8/2003	Chang	
D478,391 S	8/2003	Saunders	
D490,918 S	6/2004	Saunders	
D495,442 S	8/2004	Packard	

D501,055 S *	1/2005	Packard	D26/37
D504,529 S	4/2005	Vickers et al.	
D505,218 S	5/2005	Van Deursen	
D521,166 S *	5/2006	Yamamoto et al.	D26/37
D532,138 S	11/2006	Wang et al.	
D533,674 S	12/2006	Julius et al.	
D534,293 S	12/2006	Kim	
D534,294 S	12/2006	Kim	
D534,671 S	1/2007	Kim	
D534,672 S	1/2007	Kim	
D557,836 S *	12/2007	Shiu	D26/37

OTHER PUBLICATIONS

“Surefire 2003 Illumination Tools” catalog, published by Surefire, LLC, Fountain Valley, California (prior to Dec. 2003).

* cited by examiner

Primary Examiner—Ian Simmons

Assistant Examiner—Carissa C Fitts

(74) *Attorney, Agent, or Firm*—David Weiss

(57) **CLAIM**

The ornamental design for a flashlight body portion, as shown and described.

DESCRIPTION

FIG. 1 is a left side elevation view of a flashlight body portion showing my new design, the right side elevation view being a mirror image;

FIG. 2 is a cross-sectional outline thereof, taken along the line 2-2 of FIG. 1 and viewed in the direction of the appended arrows, showing the generally triangular design of the flashlight body portion profile with arcuate corners generally along a common circle;

FIG. 3 is a top plan view thereof; and,

FIG. 4 is a bottom plan view thereof.

The dashed lines in FIGS. 1, 3 and 4 are shown for illustrative purposes and form no part of the claimed design.

1 Claim, 2 Drawing Sheets

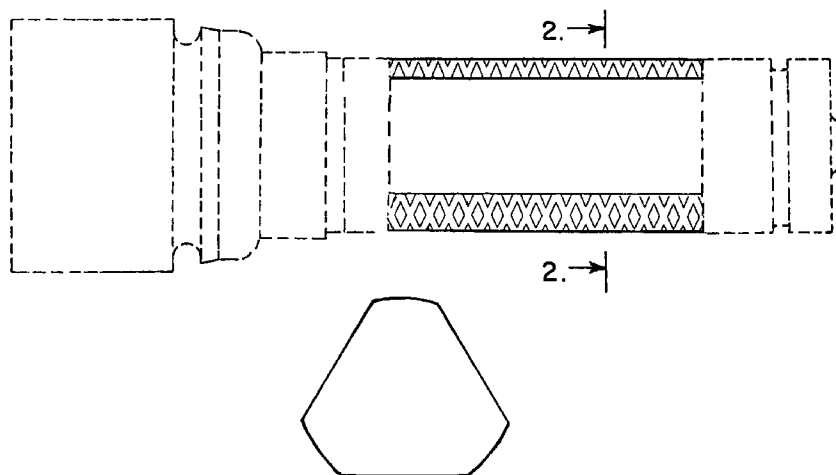


Fig. 1.

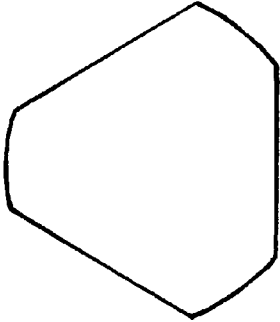
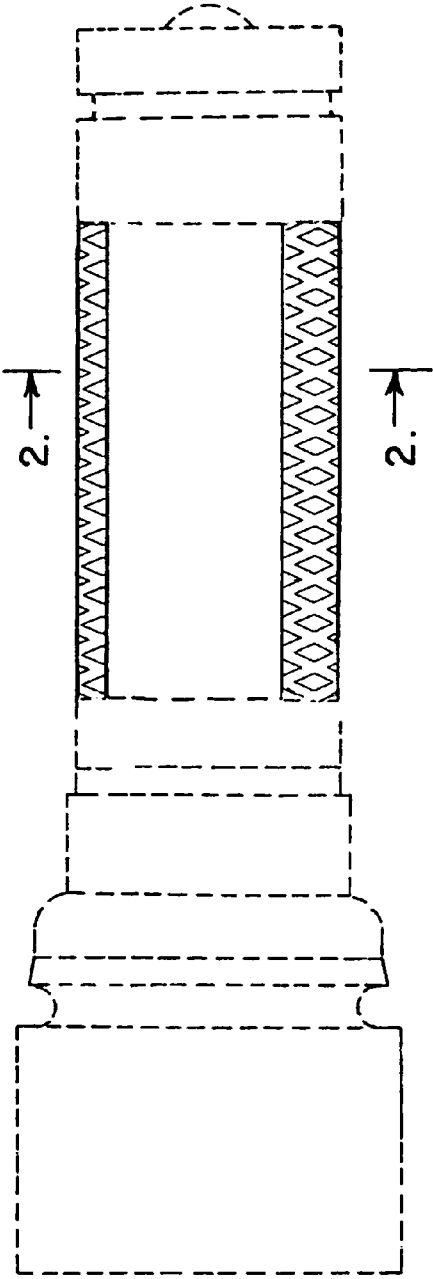


Fig. 2.

Fig. 3.

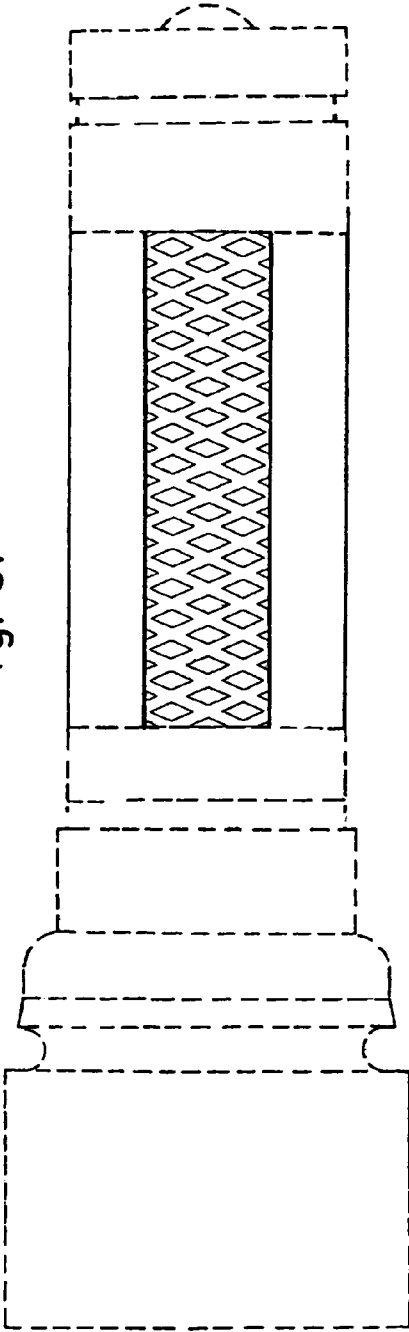


Fig. 4.

