



US00D544621S

(12) **United States Design Patent**
Kim

(10) **Patent No.:** **US D544,621 S**

(45) **Date of Patent:** **** Jun. 12, 2007**

(54) **FLASHLIGHT HEAD**

D513,334 S * 12/2005 Galey D26/37
* cited by examiner

(75) Inventor: **Paul Y. Kim**, Santa Ana, CA (US)

Primary Examiner—Marcus A. Jackson
(74) *Attorney, Agent, or Firm*—David Weiss

(73) Assignee: **Surefire, LLC**, Fountain Valley, CA (US)

(**) Term: **14 Years**

(57) **CLAIM**

(21) Appl. No.: **29/266,107**

The ornamental design for a flashlight head, as shown and described.

(22) Filed: **Sep. 13, 2006**

DESCRIPTION

(51) **LOC (8) Cl.** **26-02**

FIG. 1 is a top view of a flashlight head showing my new design;

(52) **U.S. Cl.** **D26/37**

FIG. 2 is a right side view thereof, the left side view being a mirror image;

(58) **Field of Classification Search** D26/37-50;
362/157, 158, 171-174, 183-208

See application file for complete search history.

FIG. 3 is a bottom view thereof;

FIG. 4 is a front view thereof; and,

FIG. 5 is a rear view thereof.

(56) **References Cited**

U.S. PATENT DOCUMENTS

- D491,679 S * 6/2004 Lau D26/37
- D500,566 S * 1/2005 Hu D26/37
- D502,275 S * 2/2005 Saunders D26/37

The dashed lines in FIGS. 1-3 and 5 are shown for illustrative purposes and form no part of the claimed design.

1 Claim, 2 Drawing Sheets

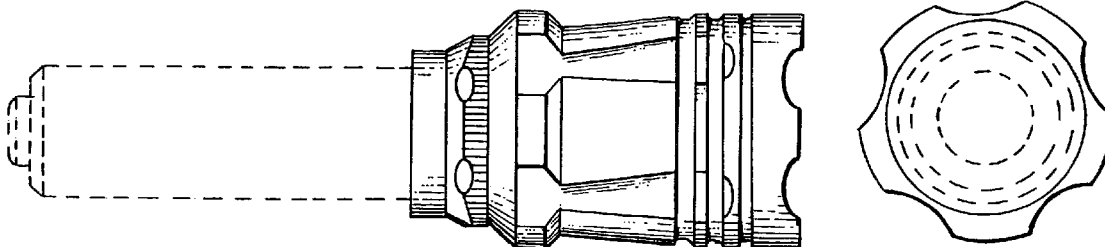


Fig. 1.

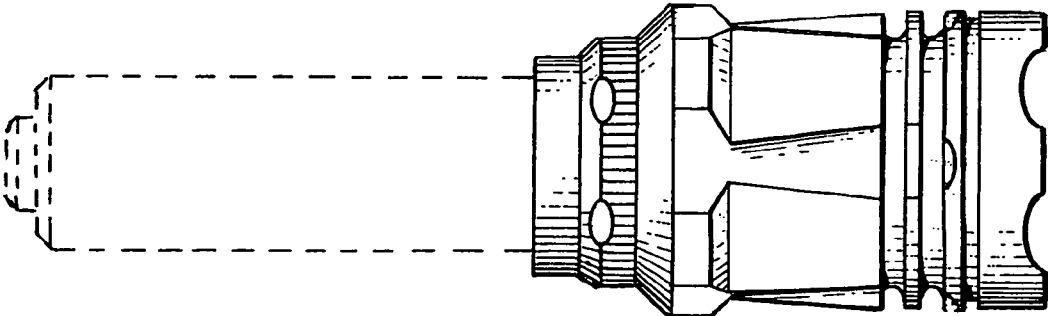


Fig. 2.

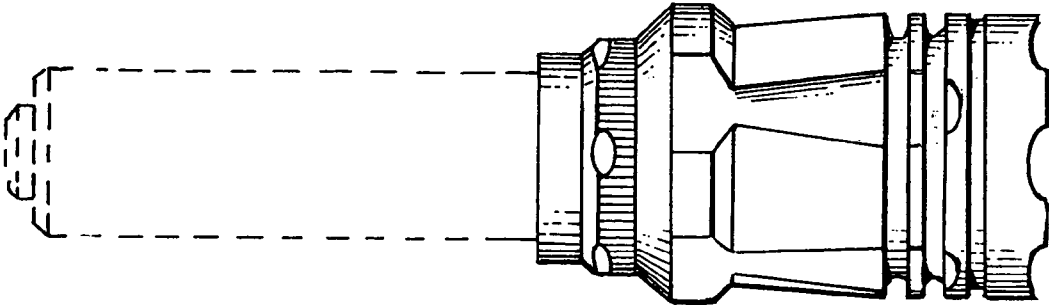


Fig. 3.

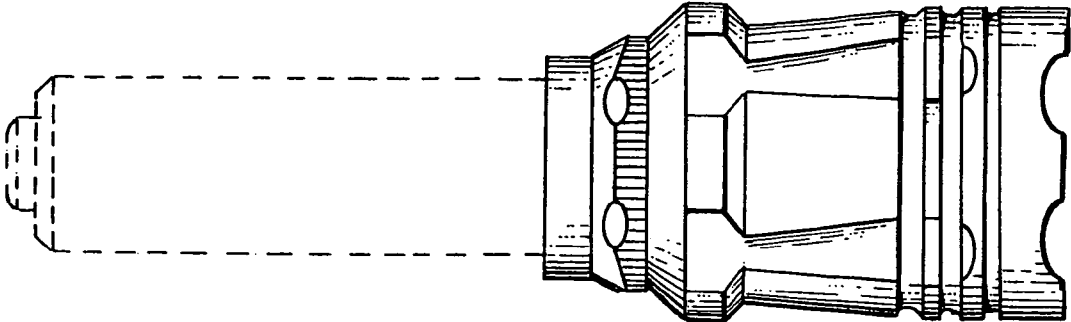


Fig. 4.

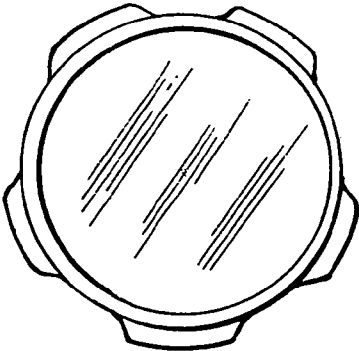


Fig. 5.

