

PR1
TACTICAL LIGHT
MAX-BEAM / 3 VOLT



ROCKET



Features

- Virtually indestructible super-efficient LED emitter to maximize light output and runtime
Powered by Constant Current (CC) regulated electronic circuit for efficient and constant light output and runtime
- Three output levels - high for maximum light, Medium for normal duties, low for extended runtime
- Precision mill machined & orange peel finished aluminum reflector creates smooth optimized beam, and optimal thermal dissipation
- Borofloat glass grinded, tempered window resists impact and thermal shock, and AR coated for maximizes light transmission
- High - strength aerospace grade aluminum CNC mill machined structure designed to claim the title of ultimate pocket illumination tool
- All surfaces are treated with tough PVD (Physical Vapor Deposition) coating for extreme ultra durability
- Three - stage light output control with ergonomic tail cap click switch - press for momentary-on High, click for constant-on High, return to off then press or click again for Medium and click again for Low
- Tail cap switch disables function - twisting out tail cap to prevent accidental activation
- Patent-pending advanced ergonomic body/pocket clip design provides a rock solid secure grip
- Patent-pending unique structure design allows anti-rolling, anti-slip functions in sleek style



PR1

TACTICAL LIGHT
MAX-BEAM / 3 VOLT



ROCKET



Specification

Tactical Illuminator - POCKET ROCKET

Model : PR1

- Output / Runtime - White LED Light
- High / 420+ Lumens 1.5 hours, Medium / 175 Lumens 4.1 hours, Low / 12 Lumens 42.0 hours
- Switching : High-Med-Low - 2 seconds auto reset back to high
- LED : Cree XML2 chip - Intense clean White light / 6,500°K. chromaticity color
- Optic : Aerospace high grade aluminum 6061 Series CNC machined Reflector - Orange peel finish with vaporized Chrome deposition
- Window : borofloat glass - grinded - tempered - Anti Reflective (AR) coated both sides
- Body Structure : Aerospace high grade aluminum 6061 Series, CNC mill Machined
- Surface Treatment : Electro polished & PVD (Physical Vapor Deposition) coated / Black
- Pocket clip : bidirectional-clip, Non-corrosive 420 Stainless steel - Electro polished
- Waterproof : O-rings & gasket sealed - IPX7 / 0.5M (ANSI/NEMA FL1, 2009 Standard)
- Bezel Diameter : 1.0 inches / 25.4 mm
- Flashlight Length : 3.21 inches / 81.5 mm
- Weight w/o Battery : 1.9 ounces / 53 grams
- Fuel : 1 x Lithium Manganese Dioxide Cylindrical CR123A (DL123A) cell - not included (rechargeable RCR123 battery : 440+ Lumens 45 Min.)

CR123A

battery not included

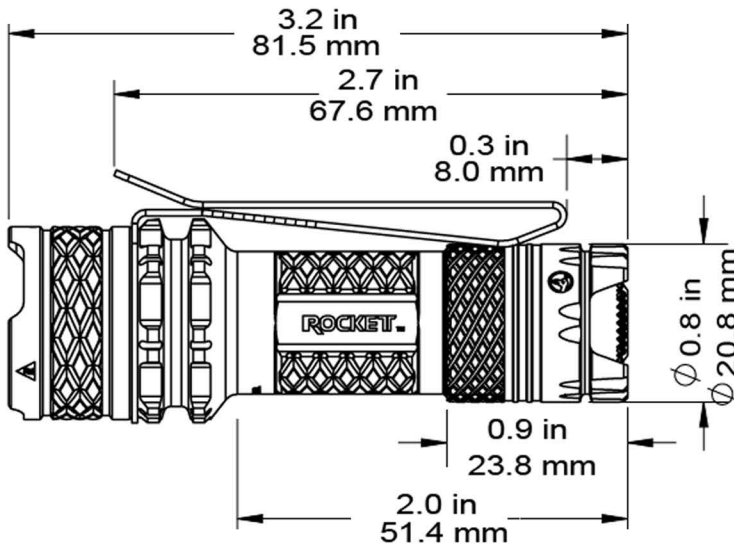


PR1

TACTICAL LIGHT
MAX-BEAM / 3 VOLT



ROCKET



Package

Model : PR1-BK (Black)
Brown Box with clear see-thru window
White marking & Black color UPC code label
Width : 2.7" / 70.0 mm
Highth : 1.9" / 48.7 mm
Length : 5.9" / 150.0 mm
Weight : 2.7 Ounce / 76 gram

Warranty

PK Design Lab offers a One-Year warranty on products that are faulty, damaged or fail due to normal usage. Products that are in any way altered and/or disassembled by the consumer, other than by battery removal and/or exchange, or used in a manner that is beyond reasonable or the intended use is not covered by warranty.

Maintenance

Unscrew the bezel (head) from the body and insert new battery (battery not included)
Twist out bezel long enough to prevent accidental activation (System Disable)
Clean the threads and oil the O-ring to maintain fine operations
Recommend Energizer® CR123A Lithium Battery
For repair or replacement contact your dealer
info@pkdesignlab.com / USA 1-714-248-8266

Warning

This product produces substantial heat during operation, do not leave activated flashlight unattended
Lithium battery can explode or cause burns if disassembled, shorted, recharged, exposed to water, fire, or high temperature.
Do not place loose batteries in pocket, purse, or another container containing metal objects, mix with used or other battery types, or store with hazardous, or combustible materials. Store in cool, dry, ventilated area.

